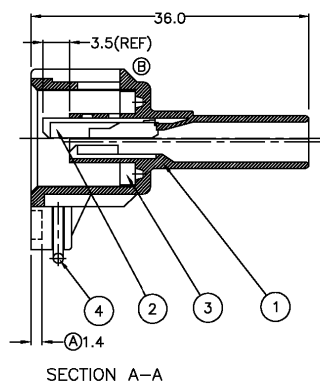
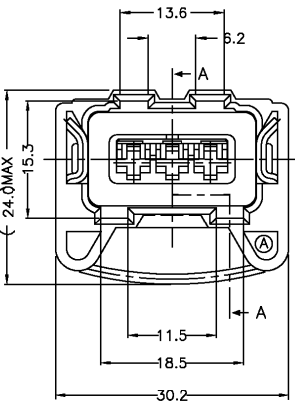
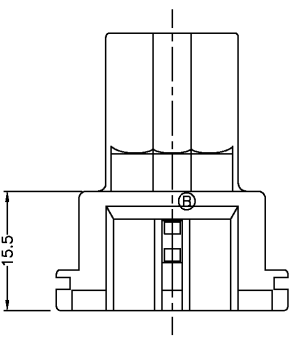


THIS DRAWING IS UNPUBLISHED. RELEASED FOR PUBLICATION .19
 © COPYRIGHT 19 BY AMP INCORPORATED. ALL RIGHTS RESERVED.

LOC	DIST	REVISIONS					
		F	LTR	DESCRIPTION	DATE	DWN	APVD
		O		RELEASED(RD97-202)	197 30/SEP	YD	JK
		A		REVISED(RD98-063)	198 16/MAR	YD	CS
		B		REVISED(FC00-0018-00)	2000 24/FEB	YD	CS



- * NOTES *
1. APPLICABLE CONTACT P/NO: 927770 / 927766
 2. APPLICABLE WIRE SEAL P/NO: 828904 / 828905 / 368064

NO	P/NO	DESCRIPTION	MATERIAL	COLOR	REQUIRED QTY
4	85388-1	SPRING	SUS 304		1
3	85384-1	SEAL RUBBER	SILICONE	ORANGE	1
2	85207-1	SPACER	PBT	YELLOW	1
1	368216-1	JPT 3P HSG FOR KNOCK SENSOR	PBT 30% GF	LIGHT GRAY	1

<small>THIS DRAWING IS A CONTROLLED DOCUMENT FOR AMP INCORPORATED. IT IS SUBJECT TO CHANGE AND THE CONTROLLING ENGINEERING ORGANIZATION SHOULD BE CONTACTED FOR THE LATEST REVISION.</small>		DWN	AMP KOREA. kyungsan, korea		
DIMENSIONS: MM		CHK			
TOLERANCES UNLESS OTHERWISE SPECIFIED: 0<XX<10 ± 0.2 10<XX<30 ± 0.25 30<XX<100 ± 0.3 ANGLES ± 3°		APVD	NAME		
3rd ANGLE PROJECTION		PRODUCT SPEC	JPT 3P ASS'Y FOR KNOCK SENSOR		
MATERIAL		APPLICATION SPEC	108-61000		
FINISH		WEIGHT	114-18018	SIZE	CAGE CODE
			6.35g	A3	00779
				DRAWING NO	
				C= 368215	
				SCALE	SHEET
				2/1	1 OF 1
					REV B

P/NO 368215-1 DESCRIPTION JPT 3P ASS'Y FOR KNOCK SENSOR