

- ▲ ONLY IN SEAL AREA / (Nur im einzelteilbereich)
- ▲ ONLY IN SLOT AREA / (Nur im steckfensterbereich)
- ▲ NOMINAL DIMENSION, ONLY FOR INFO; NOT IN INITIAL SAMPLE REPORT / (Nominale Mass, nur zu info; kommt nicht in Erstmusterprüfbericht)
- ▲ RECYCLED MATERIAL MAX. 25% / (Regeneratbeimischung max. 25%)  
LTDUID COLOR ALLOWED / (Leitfähigkeitsfarbung zugelassen)
- ▲ SILICONE RUBBER / (Silikonkugelschutz)  
RESISTANT TO OZONE AND TO HOT AIR +180°C / (Ozonbeständig, wärmebeständig +180°C)  
RESISTANT TO COLD -45°C, OIL PERCENTAGE 24+12 / (Kältebeständig -45°C, Blaufett 24+12)  
P/N 1393457-1 (Ø 5.4±0.2mm) CRIMPED ON SINGLE WIRE SEALS P/N 1393457-1 (OR, IN ALTERNATIVE, P/N 863531-1)  
CAVITY PUG TO CLOSE UNUSED CAVITIES: P/N 1393457-3 (OR, IN ALTERNATIVE, P/N 863531-1)
- ▲ FOR LENGTH TOLERANCES REFER TO DIN 16901-130;  
FOR ANGLES, FORM AND POSITION TOLERANCES REFER TO DIN ISO 2768-mH / (Längen DIN 16901-130; Winkel, Form und Lage: DIN ISO 2768-mH)
- ▲ NR. 48 CAVITIES SUITABLE FOR ELO SEAL CONTACTS P/N 1411572-1 (Ø 0.35mm) CRIMPED ON SINGLE WIRE SEALS P/N 864971-1 (OR, IN ALTERNATIVE, P/N 1393457-3), AND P/N 1411572-1 (Ø 0.5±0.2mm) CRIMPED ON SINGLE WIRE SEALS P/N 1393457-1 (OR, IN ALTERNATIVE, P/N 863531-1)
- ▲ NR. 4 CAVITIES SUITABLE FOR ELO POWER SEAL CONTACTS P/N 1411593-1 (Ø 0.75-1.0mm) CRIMPED ON SINGLE WIRE SEALS P/N 1393457-1, AND P/N 1411594-1 (Ø 1.5±0.2mm) CRIMPED ON SINGLE WIRE SEALS P/N 1393457-4. CAVITY PUGS TO CLOSE UNUSED CAVITIES: P/N 1393457-5
- 10) CONNECTOR SUITABLE TO MATE WITH HEADER COUNTERPART P/N 8-1393476-0

TE CONNECTIVITY ORDER NO. / (TE CONNECTIVITY Bestellnummer)

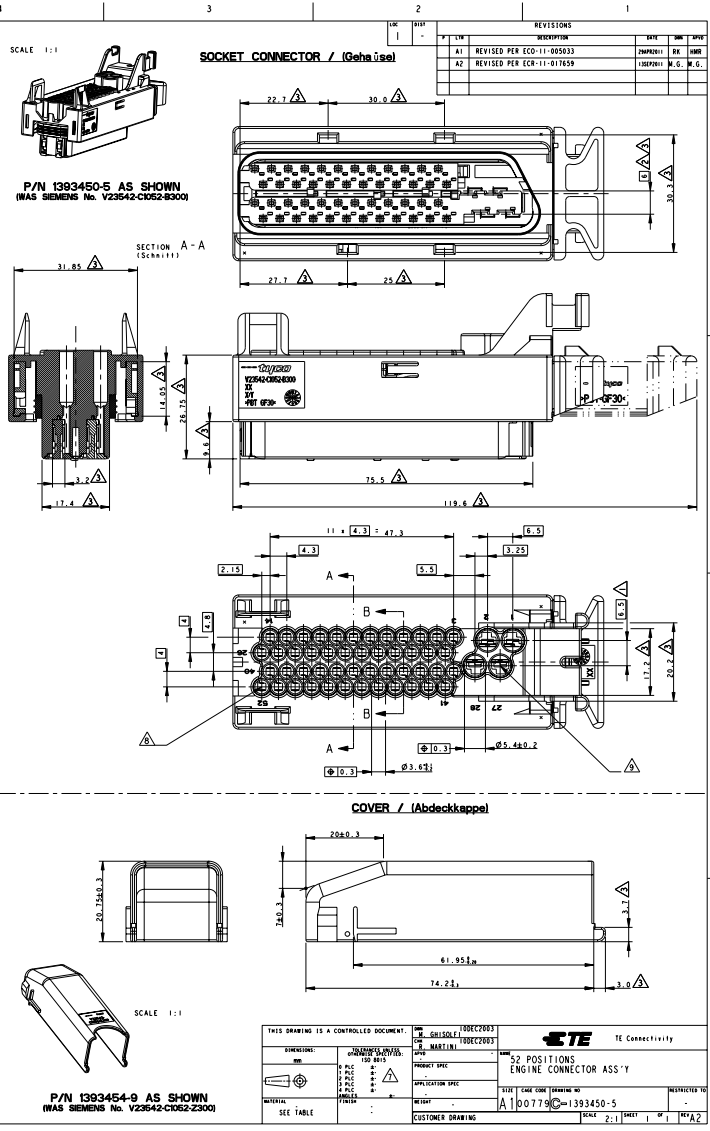
- ▲ SOCKET HOUSING WITHOUT COVER P/N 1393450-5 / (Gehäuse ohne Abdeckkappe)  
two SIEMENS code V23542-C1052-B300
- ▲ COVER P/N 1393454-9 / (Abdeckkappe)  
two SIEMENS code V23542-C1052-Z300

BOTH PARTS NEED TO BE ORDERED / (Teile müssen einzeln bestellt werden)

TE CONNECTIVITY P/N	REV.	DESCRIPTION	WEIGHT g
1393450-5	A	SOCKET CONNECTOR WITHOUT COVER	52.2
1393454-9	A	COVER	9.3

MATERIAL LIST / (Materialliste)

ITEM Q.TY	DESCRIPTION (Bezeichnung)	MATERIAL (Material)	COLOR (Farbe)
1	1 SOCKET HOUSING / (Grundkörper)	PBT-GF(30)33	BLACK / (Schwarz)
2	1 RADIAL SEAL / (Radialdichtung)	VMS	GREEN / (Grün)
3	1 COVER / (Abdeckkappe)	PBT-GF(20)23	BLACK / (Schwarz)
4	1 SECONDARY LOCK (1) / (Kontaktsicherung)	PBT-GF(30)33	NATURAL / (Natur)
5	1 SLIDE / (Klappenschieber)	PBT-GF(30)33	BLACK / (Schwarz)
6	1 SECONDARY LOCK (1) / (Kontaktsicherung)	PBT-GF(20)23	NATURAL / (Natur)



P/N 1393454-9 AS SHOWN (WAS SIEMENS No. V23642-C062-Z300)

THIS DRAWING IS A CONTROLLED DOCUMENT.

DATE: 08/2003  
 DRAWN BY: M. MARLIN  
 PROJECT: 52 POSITIONS ENGINE CONNECTOR ASS'Y  
 STATE: SCALE CODE: DRAWING NO. A100779  
 CUSTOMER DRAWING: 1393450-5

TE Connectivity