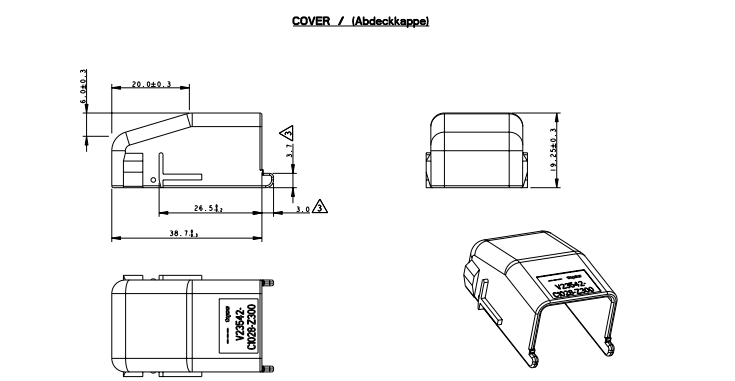


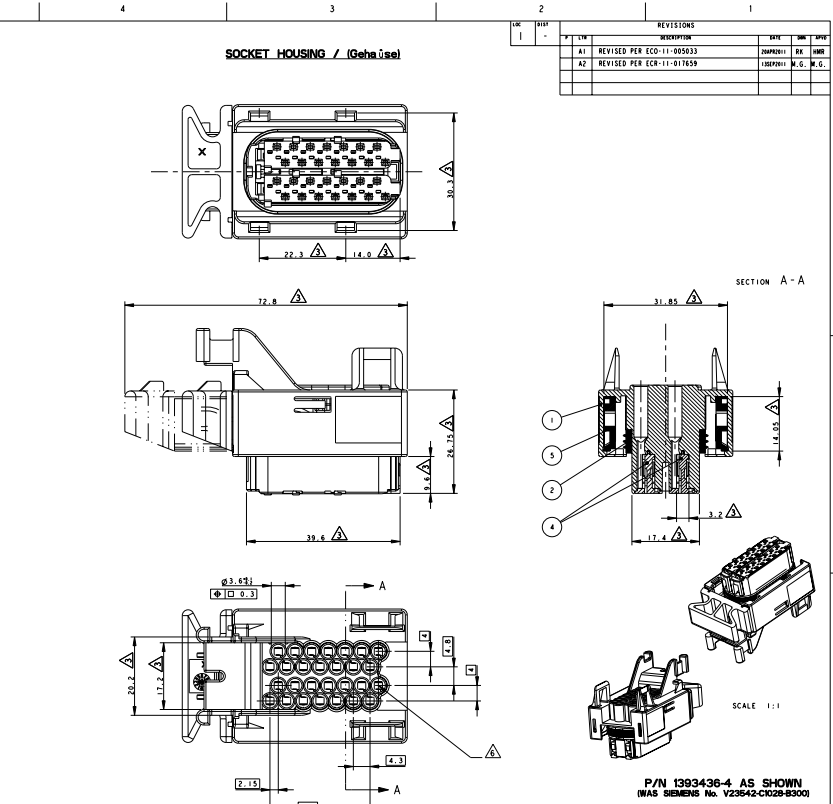
TE CONNECTIVITY ORDER NO. / (TE CONNECTIVITY Bestellnummer)

- SOCKET HOUSING WITHOUT COVER P/N **1393436-4** / (Gehäuse ohne Abdeckkappe)
(was SIEMENS code V23542-C1028-B300)
- COVER P/N **1393454-5** / (Abdeckkappe)
(was SIEMENS code V23542-C1028-B300)

BOTH PARTS NEED TO BE ORDERED / (Teile müssen einzeln bestellt werden)



P/N 1393454-5 AS SHOWN
(was SIEMENS No. V23542-C1028-B300)



TE CONNECTIVITY P/N	REV.	DESCRIPTION	WEIGHT [g]
1393436-4	A	SOCKET HOUSING WITHOUT COVER	30.5
1393454-5	A	COVER	4.9

MATERIAL LIST / (Materialliste)			
ITEM QTY	DESCRIPTION (Bezeichnung)	MATERIAL (Material)	COLOR (Farbe)
1 1	SOCKET HOUSING / (Gehäusekörper)	PBT-GF(30B31)	BLACK / (Schwarz)
2 1	RADIAL SEAL / (Radialdichtung)	VHG	GREEN / (Grün)
3 1	COVER / (Abdeckkappe)	PBT-GF(20B21)	BLACK / (Schwarz)
4 2	SECONDARY LOCK / (Kontaktsicherung)	PBT-GF(20B21)	NATURAL / (Natur)
5 1	SLIDE / (Kontaktschieber)	PBT-GF(30B31)	BLACK / (Schwarz)

RECYCLED MATERIAL max. 25% / (Regeneratbeimischung max. 25%)
 LIQUID COLOR ALLOWED / (Flüssigfarbgebung zugelassen)
 SILICONE RUBBER / (Silikonelastomer)
 RESISTANT TO OZONE AND TO HOT AIR +100°C / (Ozonbeständig, warmluftbeständig +100°C)
 RESISTANT TO COLD -45°C, OIL PERCENTAGE 28/12 / (Kältebeständig -45°C, Öltafel 28/12)
 NOMINAL DIMENSION, ONLY FOR INFO: NOT IN INITIAL SAMPLE REPORT /
 Nenngröße Mass., nur für Info: kommt nicht in Eichmasterprüfbericht
 USE TEST ADAPTOR FOR CONTINUING TESTING ACCORDING /
 T2U verwenden Prüfadapter: siehe V23543-C1028-B300-4-1424)
 FOR LENGTH TOLERANCES REFER TO DIN 46901-130 /
 FOR ANGLES, FORM AND POSITION TOLERANCES REFER TO DIN ISO 2768-mH /
 (Längen: DIN 18901-130; Winkel, Form und Lage: DIN ISO 2768-mH)
 28 CAVITIES SUITABLE FOR ELO SEAL CONTACTS P/N 4141572-1 (0.35mm) CRIMPED ON SINGLE WIRE SEALS P/N 983531-1 (OR, IN ALTERNATIVE, P/N 1393457-1) OR, IN ALTERNATIVE, P/N 983530-1 (0.50mm) CRIMPED ON SINGLE WIRE SEALS P/N 1393457-1 (OR, IN ALTERNATIVE, P/N 983531-1) CAVITY PINS TO CLOSE UNUSED CAVITIES: P/N 1393457-3 (OR, IN ALTERNATIVE, P/N 983531-1)
 CONNECTOR SUITABLE TO MATE WITH HEADER COUNTERPART P/N B-1393476-0
 THIS DRAWING IS A CONTROLLED DOCUMENT.

DATE: 08/2007
 DRAWN BY: MARLIN / (DCC2007)
 CHECKED BY: [Signature]
 PROJECT: 28 POSITIONS ENGINE CONNECTOR ASS'Y
 SPECIFICATION: [Blank]
 DRAWING NO: A100779-1393436-4
 CUSTOMER DRAWING: [Blank]