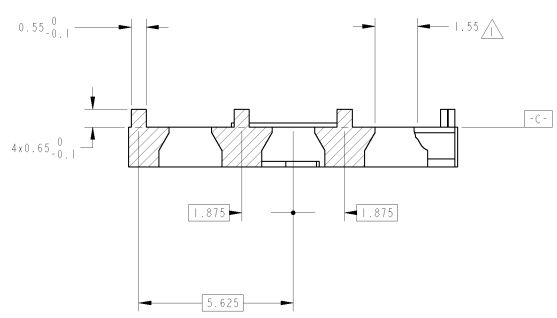
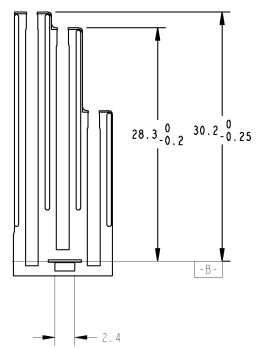
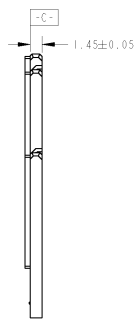
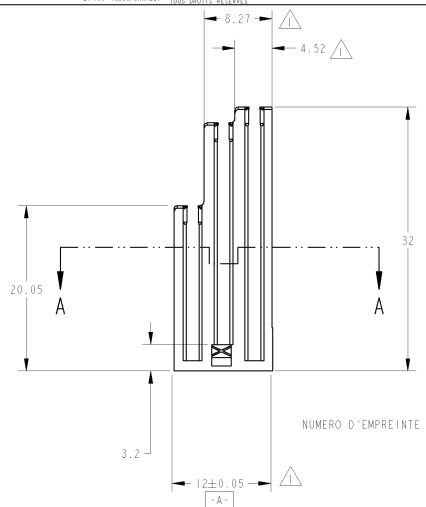


2017 DRAWING IS UNPUBLISHED
 DIVISION OF AMP
 (C) COPYRIGHT 19

RELEASED FOR PUBLICATION
 11007 31-4
 ALL RIGHTS RESERVED
 BY AMP INCORPORATED
 FOR BIDDING PURPOSES

REVOLUTIONS		DATE	OWN	APPROV
LTR	DESCRIPTION			
A	DESIGN CHANGE	11SEP-88	RB	-
B	YELLOW WAS NATURAL	28-OCT-88	RB	-
C	T2±0.05 ETAIT T2 Ø7±0.15	18-DEC-88	RB	-
D	DESIGN CHANGE	17-JUN-89	JPP	-



953047-1	PA 6-50% GF	YELLOW
AMP REF.	MATERIAL	COLOR
953047-1	PA 6-50% FV	JAUNE
REF. AMP	MATIERE	COULEUR

△ ADMISSIBLE NIPPING 0.6 PINCIMENT ADMISSIBLE 0.6

<p>THIS DRAWING IS UNPUBLISHED FOR THE INDUSTRY IT IS RELEASED FOR BIDDING AND FOR CONTRACT PERFORMANCE IT IS NOT TO BE REPRODUCED OR TRANSMITTED IN ANY FORM OR BY ANY MEANS WITHOUT THE WRITTEN PERMISSION OF AMP INCORPORATED ALL RIGHTS RESERVED</p>		<p>OWN (DESIGN) 0-10-88 Revis. DONNET J.P. FICAUD J 09-88 J1 REV 11 J 09-88</p>	<p>AMP DE FRANCE 95301 PONTOISE</p>
<p>DIMENSIONS: mm</p>	<p>TOLERANCES UNLESS OTHERWISE SPECIFIED (TOLERANCES NON SPECIFIEES SAUF AUTrement)</p>	<p>APPROXIMATE WEIGHT SPEC. APPROX. 105-15172 APPLICATION SPEC. APPROX. 411-15599</p>	<p>TYPE FOR 31 WAYS HYBRID TIMER CONNECTOR VERROU SECONDAIRE MF POUR CONNECTIQUE 31 VOIES TIMER HYBRIDE</p>
<p>MATERIAL MATIERE</p>	<p>FINISH FINITION</p>	<p>APPROX. WEIGHT APPROX. 0.3gF</p>	<p>CARE CODE NO. PLAN NO. PART 100779 C=953047</p>
SEE TABLE	SEE TABLE	CUSTOMER DRAWING	<p>UNDESIGNED SCALE INDEPENDENT ECHELLE 3:1</p>
		/PLAN CLIENT	<p>SHEET OF FEUILLE DE 1 1</p>
			<p>RESTRICTED TO RESERVE A</p>