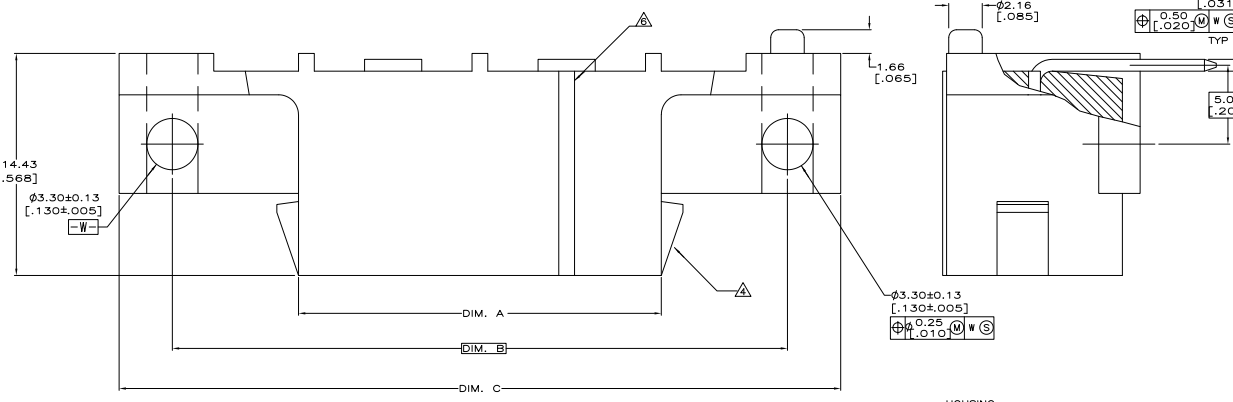
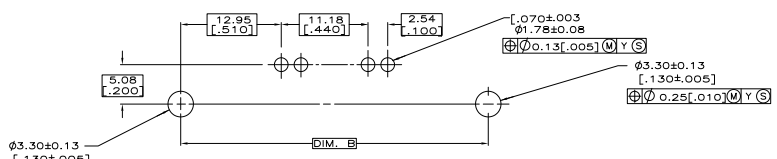
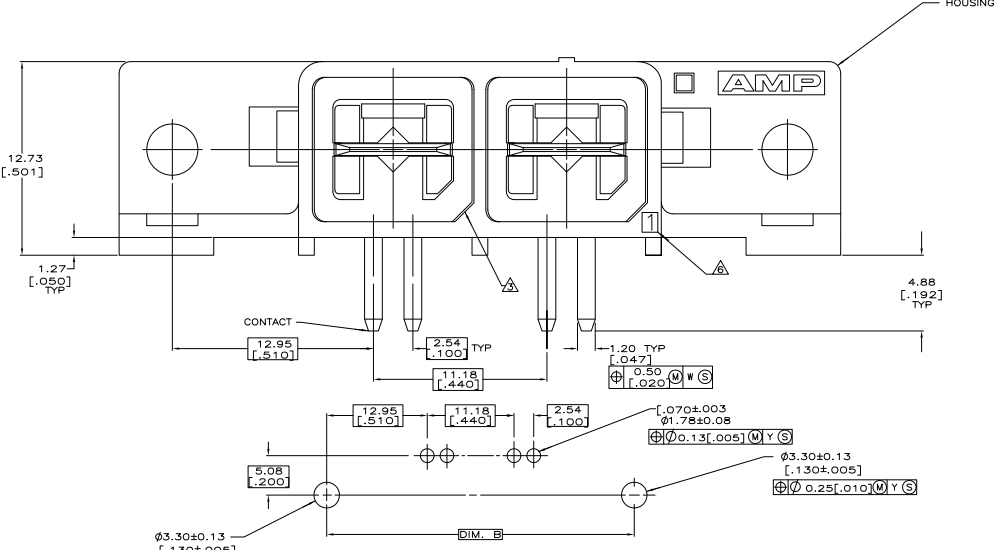


THIS DRAWING IS UNPUBLISHED  
 ALL RIGHTS RESERVED

REV	DATE	DESCRIPTION	BY	CHK	APP
D1		REVISED PER EDD-11-048820	11MM11	RK	HMR



- ▲ MATERIAL: HOUSING-POLYPHTHALAMINE, BLACK, 94V-0. CONTACT- 2.54 mm [.000100] MINIMUM TIN PLATED COPPER.
- ▲ ALL DIMENSIONS ARE MAXIMUM UNLESS OTHERWISE SPECIFIED.
- ▲ POLARIZATION FEATURE TO MATING HOUSING.
- ▲ POSITIVE LATCHING OF RECEPTACLE ASSEMBLY TO PLUG HOUSING.
- 5. THESE ASSEMBLIES ARE UL RECOGNIZED AND CSA CERTIFIED.
- ▲ POSITION 1 INDICATOR.



SUGGESTED PC BOARD HOLE LAYOUT  
 SCALE 4:1

POSITION	DIM. C	DIM. B	DIM. A	PART NO
8	113.67 [4.475]	106.68 [4.200]	90.56 [3.565]	556882-8
7	102.49 [4.035]	95.50 [3.760]	79.38 [3.125]	-7
6	91.32 [3.595]	84.33 [3.320]	68.20 [2.685]	-6
5	80.14 [3.155]	73.15 [2.880]	57.03 [2.245]	-5
4	68.97 [2.715]	61.98 [2.440]	45.85 [1.805]	-4
3	57.79 [2.275]	50.80 [2.000]	34.68 [1.365]	-3
2	46.61 [1.835]	39.62 [1.560]	23.50 [0.925]	556882-2

THIS DRAWING IS A CONTROLLED DOCUMENT.

DESIGNED BY: J. STEINLECKER  
 DRAWN BY: J. FOX  
 CHECKED BY: M. MILLER  
 DATE: 108-1349

REVISIONS: 114-6044

DATE: 11-11-04

SIZE: A1

DATE: 00779

Q=556882

CUSTOMER DRAWING

TE Connectivity  
 RECEPTACLE ASSEMBLY,  
 RIGHT ANGLE, WTB, AMPINERGY