

4

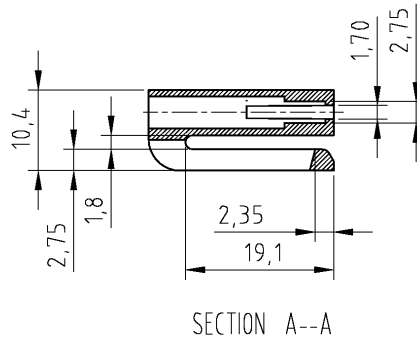
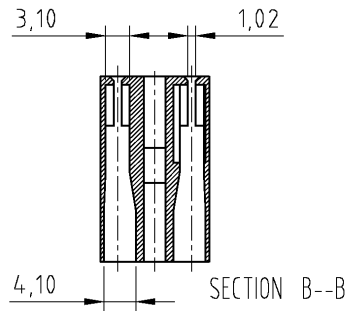
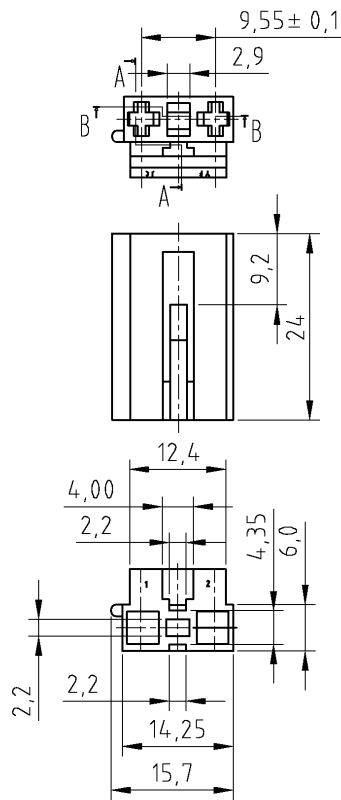
3

2

1

THIS DRAWING IS UNPUBLISHED. RELEASED FOR PUBLICATION FEB., 2004.
 © COPYRIGHT 2004 BY TYCO ELECTRONICS CORPORATION. ALL RIGHTS RESERVED.

LOC	DIST	REVISIONS					
J	-	P	LTR	DESCRIPTION	DATE	DWN	APVD
		01	REVISED	ECR-07-007872	05APR07	MS	KB



NOTE:

- △ MATERIAL: NYLON PA66 94-V0
COLOR: GRAY
- △ MATERIAL: NYLON PA66 94-V0
COLOR: WHITE
- 3. APPLIDE TERMINAL: 964284-2 OR 965999-2

△	623346-4
PACKAGED FROM 623346-4	623346-3
△	623346-2
PACKAGED FROM 623346-2	623346-1
MATERIAL	P/N

DIMENSIONS:		TOLERANCES UNLESS OTHERWISE SPECIFIED:		DWN		Tyco Electronics		Tyco Electronics AMP K.K	
單位: 精		一般公差		ANSIN YANG		12FEB2004		Kawasaki, Japan	
mm				CHK		13FEB04			
0 PLC	± -			MICHELLE PENG		13FEB04		NAME	
1 PLC	± 0.50			N. SAI		13FEB04		名称	
2 PLC	± 0.20			PRODUCT SPEC				HOUSING	
3 PLC	± 0.10			製品規格				2POSN CONNECTOR	
4 PLC	± -			APPLICATION SPEC				SIZE	
ANGLES	± 1			動作運用規格				CAGE CODE	
MATERIAL	PA66 94-V0	FINISH		SEE NOTE		WEIGHT		DRAWING NO	
材料		仕上				-		A3 00779	
				CUSTOMER DRAWING		623346		RESTRICTED TO	
						SCALE		SHEET	
						1:1		1 OF 1	
								REV	
								Q1	