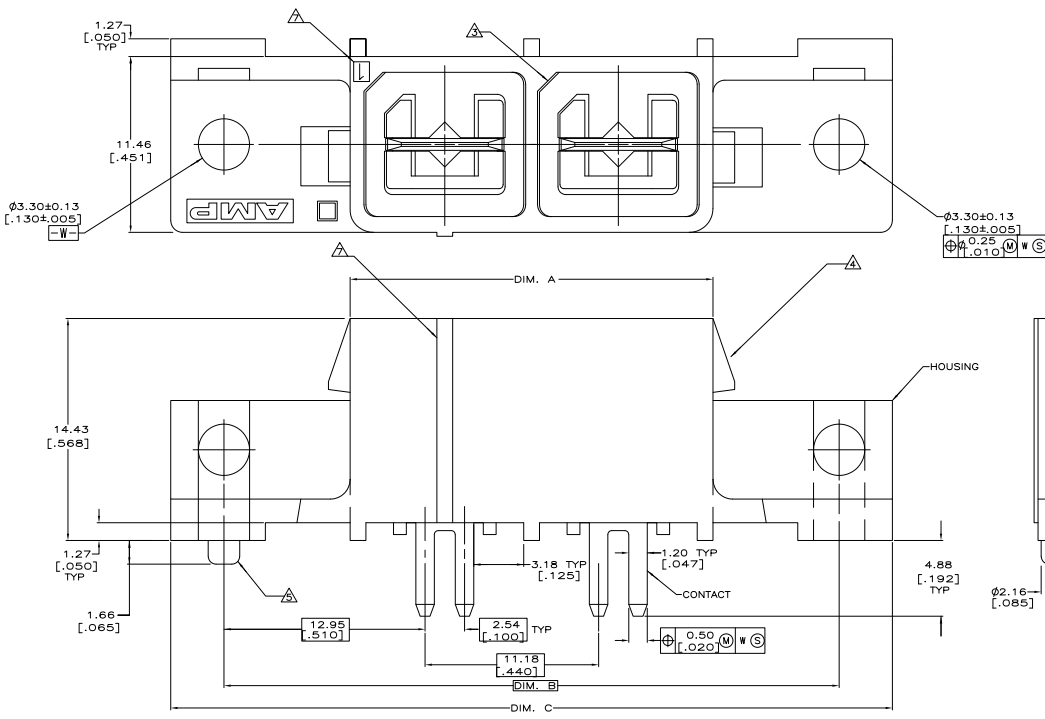
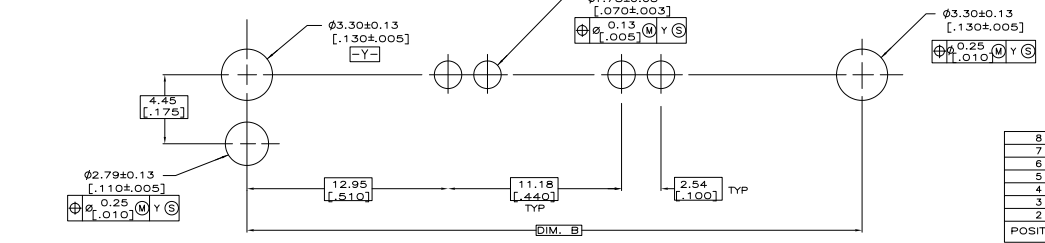


THIS DRAWING IS UNPUBLISHED
ALL RIGHTS RESERVED

REV	DATE	DESCRIPTION	BY	CHK
01		REVISED PER ECO-11-004820	11MM11	RC HMR



- MATERIAL: HOUSING-POLYPHTHALAMINE, BLACK, 94V-0.
CONTACT- 2.54 μ m [0.00100] MINIMUM TIN PLATED COPPER.
- ALL DIMENSIONS ARE MAXIMUM UNLESS OTHERWISE SPECIFIED.
- POLARIZATION FEATURE TO MATING HOUSING.
- POSITIVE LATCHING OF RECEPTACLE ASSEMBLY TO PLUG HOUSING.
- POLARIZATION FEATURE TO PC BOARD.
- THESE ASSEMBLIES ARE UL RECOGNIZED AND CSA CERTIFIED.
- INDICATES POSITION 1.



POSITION	DIM. C	DIM. B	DIM. A	PART NO
8	113.67 [4.475]	106.68 [4.200]	90.56 [3.565]	556881-8
7	102.49 [4.035]	95.50 [3.760]	79.38 [3.125]	-7
6	91.32 [3.595]	84.33 [3.320]	68.20 [2.685]	-6
5	80.14 [3.155]	73.15 [2.880]	57.03 [2.245]	-5
4	68.97 [2.715]	61.98 [2.440]	45.85 [1.805]	-4
3	57.79 [2.275]	50.80 [2.000]	34.68 [1.365]	-3
2	46.61 [1.835]	39.62 [1.560]	23.50 [0.925]	556881-2

SUGGESTED PC BOARD HOLE LAYOUT

THIS DRAWING IS A CONTROLLED DOCUMENT. DATE: 11-30-91. BY: J. FOX. CHECKED BY: J. MILLER. DATE: 12-28-91. DRAWN BY: J. MILLER. DATE: 108-1349. CUSTOMER NO: 114-6044. PART NO: 556881. CUSTOMER DRAWING. SIZE: 8.1. SHEET: 1 OF 1. DATE: 11-30-91. BY: J. FOX. CHECKED BY: J. MILLER. DATE: 12-28-91. DRAWN BY: J. MILLER. DATE: 108-1349. CUSTOMER NO: 114-6044. PART NO: 556881. CUSTOMER DRAWING. SIZE: 8.1. SHEET: 1 OF 1. DATE: 11-30-91.