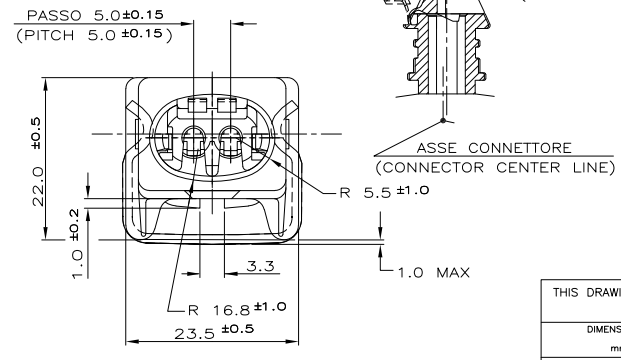
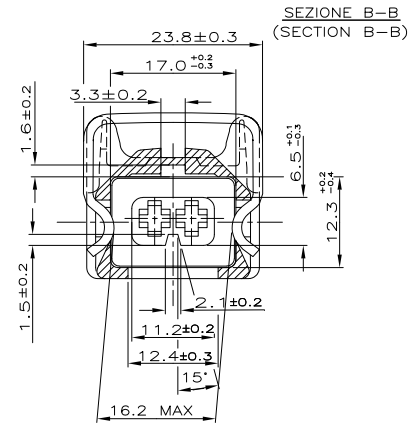
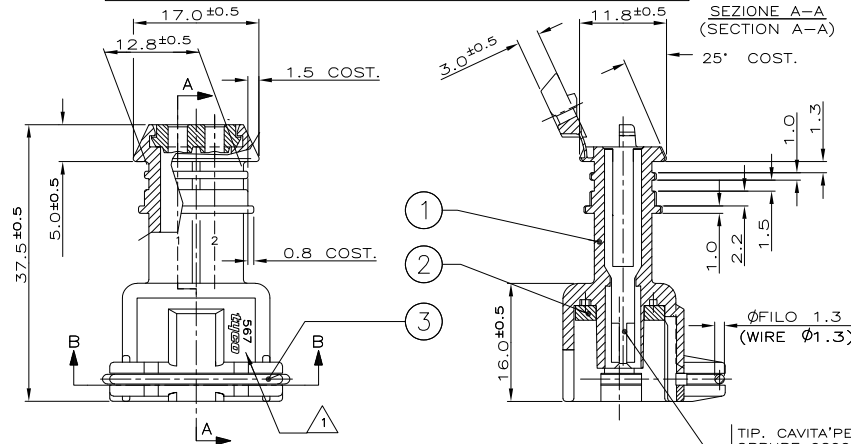


THIS DRAWING IS UNPUBLISHED. RELEASED FOR PUBLICATION. ALL RIGHTS RESERVED.

LOC	DIST	REVISIONS			
P	LTR	DESCRIPTION	DATE	DWN	APVD
I	-				
L4		REVISED PER ECO-11-005033	2APR11	RK	HMR

CONNETTORE TIPO A (CON MOLLA DI RITEGNO ESTERNA)
CONNECTOR TYPE A (WITH EXTERNAL SPRING)



TIP. CAVITA' PER TERMINALI AMP JPT P/N 929939-...
OPPURE 929937-... E RELATIVI GOMMINI
AMP P/N 828904-1, 828905-1, 282536-1.
TAPPO CAVITA' P/N 828906-2
(TYP. CAV. FOR JPT CONT. P/N 929939-... A/O 929937-... AND REL.
SINGLE WIRE SEAL P/N 828904-1, 828905-1, 282536-1
CAVITY PLUG P/N 828906-2)

METRIC		DIAM. ISOLANTE (INS. DIA. RANGE)	RANGO FILO (WIRE RANGE)
		1.5-3.0 (REDUCED INS. CABLE)	0.5-2.5 mm ²
NERO (BLACK)	2-282189-1/2	CUSTOMER DWG. FOR REFERENCE ONLY	
ROSSO (RED)	282189-8	DISEGNO PER CLIENTE SOLO PER RIFERIMENTO	
GIALLO (YELLOW)	282189-7	3	ACCAIO INOX (STAINLESS STEEL)
MARRONE (BROWN)	282189-6	2	NATURALE (CLEAR)
BLU (BLUE)	282189-5	1	GOMMA SILICONICA (SILICONE RUBBER)
VERDE (GREEN)	282189-4		PA 6.6 C.VETRO (PA 6.6 G.F.)
NATURALE (CLEAR)	282189-3		BLOCCETTO (HOUSING)
GRIGIO (GREY)	282189-2		MATERIALE (MATERIAL)
NERO (BLACK)	282189-1		DESCRIZIONE (DESCRIPTION)
COLORE (COLOR)	NUMERO PART. N°	N	FINITURA / COLORE (FINISH / COLOUR)

THIS DRAWING IS A CONTROLLED DOCUMENT.		DWN	Ennio CINI	NOV. 9'90
DIMENSIONS: mm		CHK	C. TARTARI	13 OCT 92
TOLERANCES UNLESS OTHERWISE SPECIFIED:		APVD		
0 PLC	±	NAME		
1 PLC	±0.3	2 W.SPLASH PROOF CONN.ASS'Y with SECONDARY LOCK		
2 PLC	±	SIZE		
3 PLC	±	CAGE CODE		
4 PLC	±	DRAWING NO		
ANGLES	±2'	RESTRICTED TO		
MATERIAL	FINISH	WEIGHT	A3	00779
		CUSTOMER DRAWING	SCALE	SHEET 1 OF 2
				REV L4

- 1 LOGO TYCO O, IN ALTERNATIVA, LOGO AMP (TYCO LOGO OR, IN ALTERNATIVE, AMP LOGO)
- 2 DIFFERISCE DAL ...-1 ESCLUSIVAMENTE PER IL PACKAGING (DIFFERS FROM ...-1 ONLY FOR PACKAGING DETAILS)
- 3 PER DIMENSIONI CONTROPARTE VEDERE FOGLIO 2 (FOR COUNTERPART DIMENSIONS SEE SHEET 2)

4

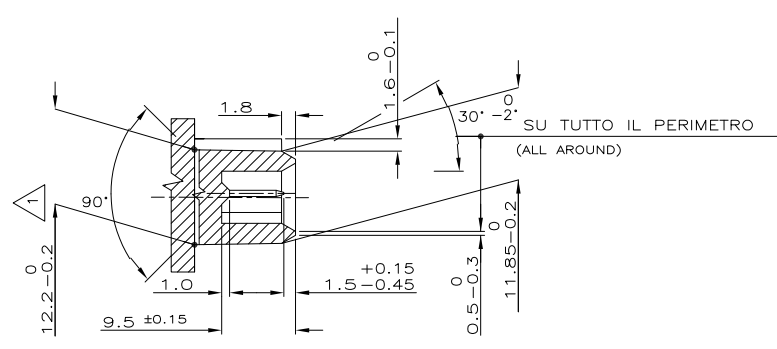
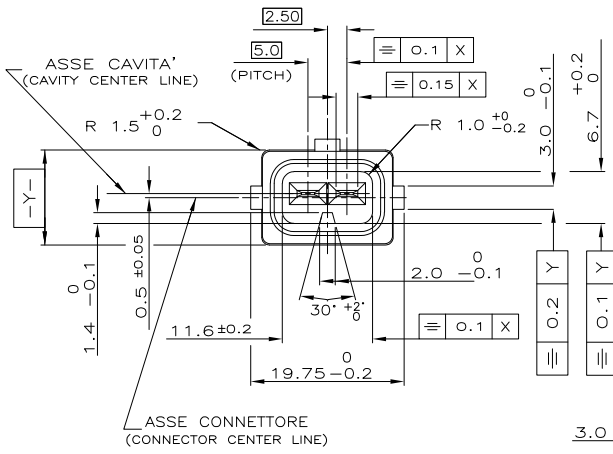
3

2

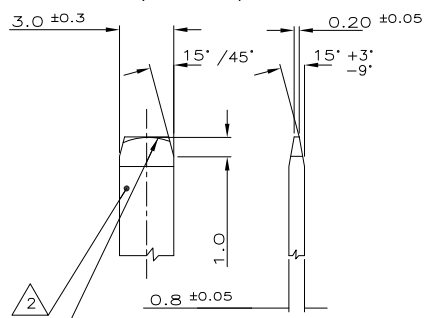
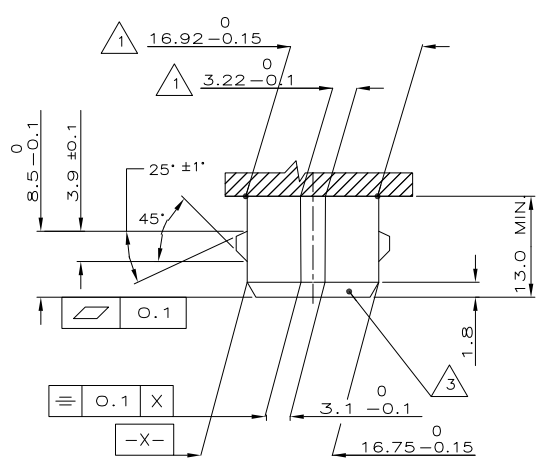
1

THIS DRAWING IS UNPUBLISHED. RELEASED FOR PUBLICATION
 © COPYRIGHT - By - ALL RIGHTS RESERVED.

LOC	DIST	REVISIONS			
P	LTR	DESCRIPTION	DATE	DWN	APVD
1	-	SEE SHEET 1	-	-	-



DETT. LINGUETTA TAB-SCALA 5:1-
 (TAB DETAIL)



FORMA ALTERNATIVA PERMESSA CON RAGGIO
 (ALLOWED ALTERNATIVE PROFILE WITH RADIUS)

- 1 QUOTE APPLICABILI PER SFORMATURA PEZZO (DRAFT PERMITTED TO FACILITATE REMOVAL OF PART FROM THE MOULD)
- 2 MATERIALE LINGUETTE: LEGA DI RAME STAGNATA, ES. OTTONE STAGNATO. (TAB CONTACT MATERIAL: TIN PLATED COPPER ALLOY. E.G. BRASS TIN PLATED)
- 3 MATERIALE BLOCCHETTO: TERMOPLASTICO CARICATO FIBRA VETRO. (HOUSING MATERIAL: THERMOPLASTIC, GLASS FIBER FILLED)

METRIC	DIAM. ISOLANTE (INS. DIA. RANGE) ---	RANGO FILO (WIRE RANGE) ---
CUSTOMER DWG. FOR REFERENCE ONLY	DISEGNO PER CLIENTE SOLO PER RIFERIMENTO	

THIS DRAWING IS A CONTROLLED DOCUMENT.		DWN	-
		CHK	-
		APVD	-
DIMENSIONS: mm		PRODUCT SPEC	-
		APPLICATION SPEC	-
		WEIGHT	-
MATERIAL		SIZE	A3
		CAGE CODE	00779
		DRAWING NO	C-282189
		RESTRICTED TO	-
FINISH		CUSTOMER DRAWING	SCALE
			SHEET 2 OF 2
			REV L4

TE Connectivity	
NAME	
2 POS.SPLASH PROOF CONN.ASS'Y with SECONDARY LOCK	
SIZE	RESTRICTED TO
A3	-

FINITURA / COLORE (FINISH / COLOUR)	MATERIALE (MATERIAL)	NUMERO (PART NUMBER)