

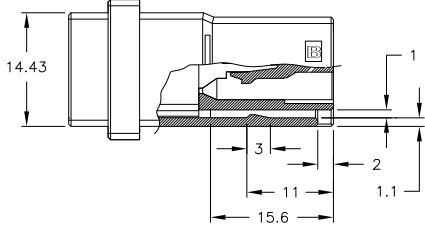
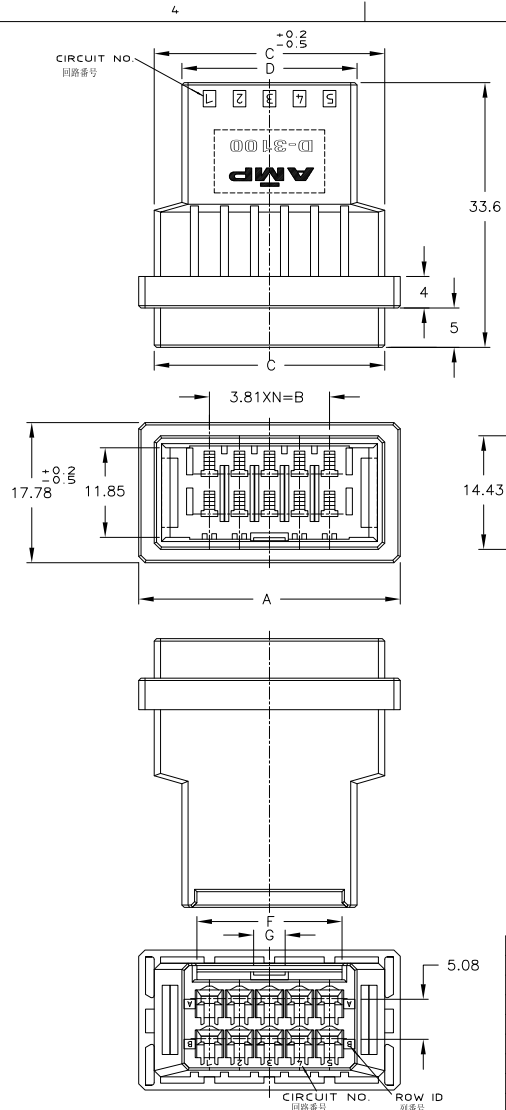
NUMBER 178964



METRIC

PRINT DIST
DIMENSIONS IN MM. DO NOT SCALE PRINT

AMP-2
REV.10/83



NOTES
 1 MATERIAL:GLASS FIELD THERMO PLASTIC,POLYESTER
 COLOR:BLACK
 TO COAT ALL SURFACE OF HOUSING WITH TEFLON
 注記
 1 材料:ガラス入り熱可塑性ポリエステル樹脂
 色:黒色
 ハウジング全面にテフロン塗装のこと

OBSOLETE	20	52.24	34.29	48.29	41.29	18.4	4	9	5	8				
	20	52.24	34.29	48.29	41.29	18.4	4	9		8				
OBSOLETE	16	44.62	26.67	40.67	33.67	18.4	4	7	5	7				
	16	44.62	26.67	40.67	33.67	18.4	4	7		7				
	12	37	19.05	33.05	26.05	18.4	4	5		6				
	10	33.19	15.24	29.24	22.24	18.4	4	4		5				
	8	29.38	11.43	25.43	18.43	8.4	2	3		4				
OBSOLETE	6	25.57	7.62	21.62	14.62	8.4	2	2	5	3				
	6	25.57	7.62	21.62	14.62	8.4	2	2		3				
	FINISH	POS. 保証	DIMENSION				A	B	C	D	F	G	N	178964-3

D5 REVISED PER ECO-11-005030		RK	HMR	22MAR 11	DR	9 MAR 92	DE	9 MAR 92	(GENERAL TOLERANCE): 100% ±0.2 10% ±0.25 30% ±0.3 100% ±0.3		SIZE	A3	LOC	J	REV. (No.)	C=178964		
LTR	変更 (REVISION RECORD)	DR	CHK	DATE	CHK	10 MAR 92	APP.	10 MAR 92	材料(WIRE RANGE) 絶縁体(INSULATION DIA.) 材料(MATERIAL) 注記(NOTE) SEE NOTES		名称(NAME) フリーハンギングタイプダイナミック ワイヤミッドD3100D シリーズ用 WIRE TO WIRE TAB HSG FOR DYNAMIC D-3100D FREE HANGING TYPE		SCALE)	2-1	REV.	D5	SHEET	1 OF 1

(CUSTOMER DRAWING) 顧客用図面