

4

3

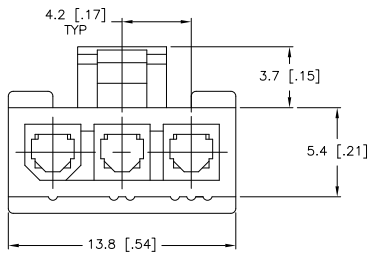
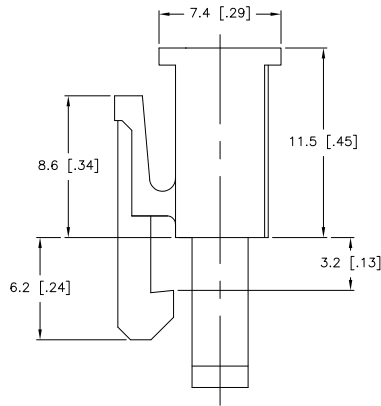
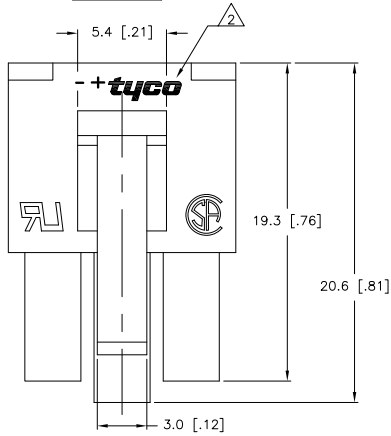
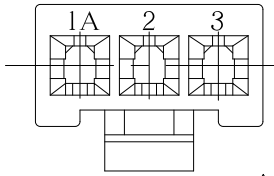
2

1

THIS DRAWING IS UNPUBLISHED. RELEASED FOR PUBLICATION.  
 © COPYRIGHT BY TYCO ELECTRONICS CORPORATION. ALL RIGHTS RESERVED.

LOC	DIST	REVISIONS		DATE	BY	APP'D
CM	00	F	LR			
		B		REVISED PER ECO-08-032266	05JAN08	HMR CC

- 1 MATERIAL: NYLON UL94V-2, NATURAL.  
 2 TE LOGO, UL AND CSA LOGO SIZE, LOCATION AND ORIENTATION OPTIONAL.



**METRIC**

1586105-3  
 PART NUMBER

THIS DRAWING IS A CONTROLLED DOCUMENT.		DRW: S. HOOVER 23-FEB-2004	Tyco Electronics Corporation Harrisburg, PA 17105-3608
DIMENSIONS: mm [INCHES]		CHK: D. COLEY 23-FEB-2004	
TOLERANCES UNLESS OTHERWISE SPECIFIED:		APP'D: D. COLEY 23-FEB-2004	NAME: D. COLEY
0 PLG	#	APPLICATION SPEC:	PRODUCT SPEC:
1 PLG	± 0.2 [00]	WEIGHT:	SIZE: A2
2 PLG	#	CUSTOMER DRAWING	CAGE CODE: 00779
3 PLG	#	MATERIAL: NYLON 66 UL94V-2	DRAWING NO: 1586105
4 PLG	#	FINISH:	RESTRICTED TO:
ANGLES	#		SCALE: 6:1
			SHEET: 1 of 1
			REV: B