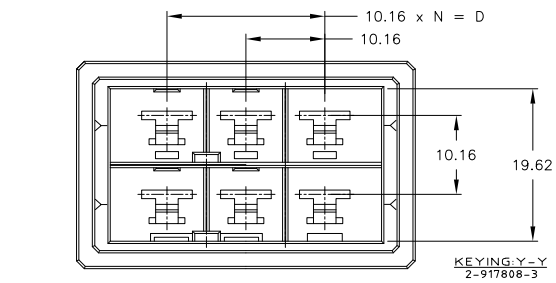
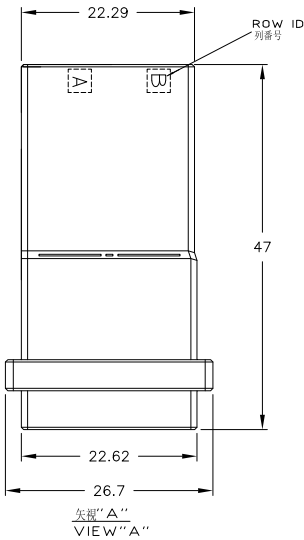
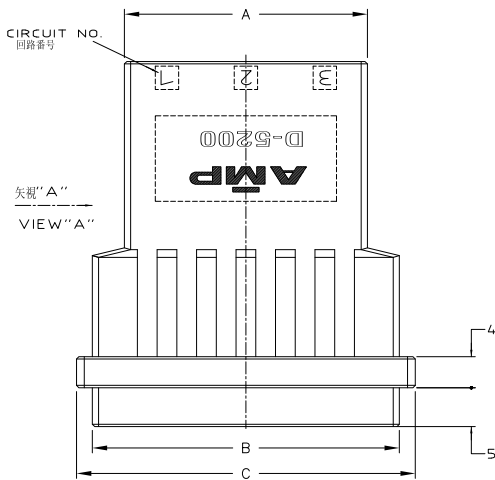
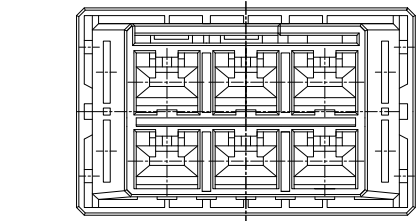


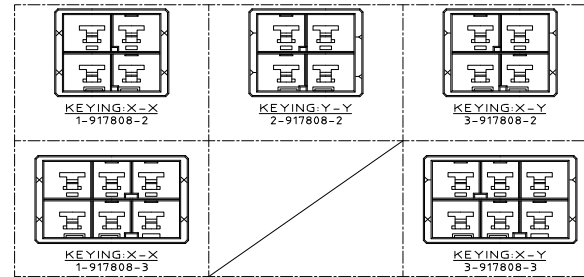
THIS DRAWING IS UNPUBLISHED. RELEASED FOR PUBLICATION. 19
 COPYRIGHT 19 ALL RIGHTS RESERVED.

LOC	DIST	REVISIONS					
		P	LTR	DESCRIPTION	DATE	DWN	APVD
J		A3		REVISED PER ECO-11-005030	11MAR11	RK	HMR



注記
 材料 ハウジングガラス入り熱可塑性
 ポリエステル樹脂(94V-0),色黒
 TO COAT ALL SURFACE OF HOUSING WITH TEFLON

NOTES
 MATERIAL: HOUSING: GLASS FILED THERMO PLASTIC
 POLYESTER(94V-0), COLOR: BLACK



																		3-917808-3
		31.27	39.52	43.6	20.32	2	6											2-917808-3
OBsolete																		6-917808-2
OBsolete																		5-917808-2
																		3-917808-2
																		2-917808-2
		21.11	29.36	33.44	10.16	1	4											1-917808-2
FINISH		A	B	C	D	N	POS	P/N										

DIMENSIONS:	TOLERANCES UNLESS OTHERWISE SPECIFIED:	DWN: 31/OCT/95 CHK: K. IKEDA	TE Connectivity		
		APVD: Y. ISHIKAWA	2列 タブ ハウジング		
		S. MANABE	フリーハンギングタイプ		
		PRODUCT SPEC: 108-5453	DOUBLE ROW TAB HSG (FREE HANGING)		
		APPLICATION SPEC: 114-5206	DYNAMIC D-5200 M		
MATERIAL:	FINISH:	WEIGHT: T1	SIZE: A3	CAGE CODE: 00779	DRAWING NO: 917808
MATERIAL		CUSTOMER DRAWING		SCALE: 2-1	SHEET: 1 OF 1 REV: A3

顧客用図面