

4

3

2

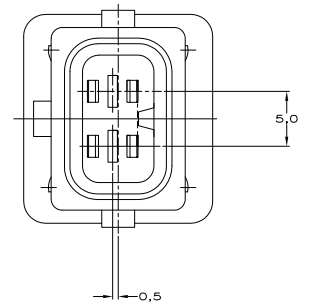
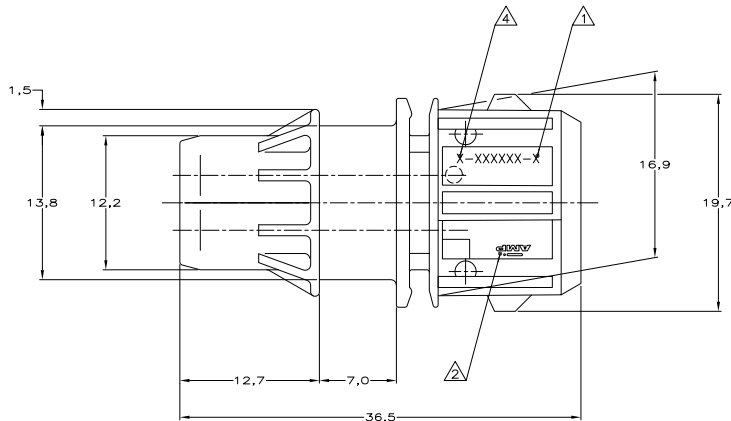
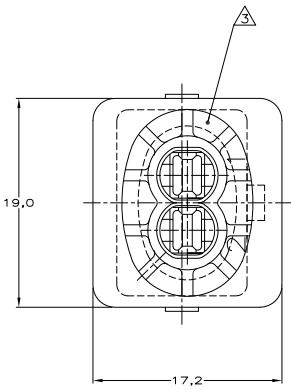
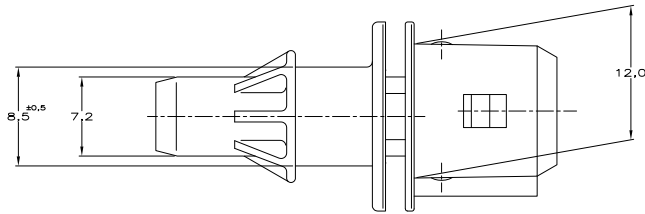
1

THIS DRAWING IS UNPUBLISHED. RELEASED FOR PUBLICATION. ALL RIGHTS RESERVED.

METRIC		LOC	DIST	REVISIONS		DATE	BY	APP'D
F	LR			DESCRIPTION				
E1				REVISED PER ECO-11-005150		19MAR11	RK	HMR

NOTES:

- △ PARTNUMBER IDENTIFICATION.
- △ AMP TRADE MARK.
- △ CAVITY IDENTIFICATION.
- △ POCKET IDENTIFICATION.
- 5 FITS TO HOUSING JR TIMER 282189-1 AND 827551-1.



THIS DRAWING IS A CONTROLLED DOCUMENT.		FINISH	BLACK	MATERIAL	PBT	106462-1	PARTNUMBER
DIMENSIONS: mm		D. KESSLER		TE Connectivity		TE Connectivity	
TOLERANCES UNLESS OTHERWISE SPECIFIED:		5 SEP 00		2 POS. 2.8mm TAB HOUSING		RESTRICTED TO	
0 PLC	±	M. v. DRIEL		A2		00779 C=106462	
1 PLC	±	M. v. DRIEL		SCALE		SHEET 1 of 1	
2 PLC	±	PRODUCT SPEC		CUSTOMER DRAWING		REV E1	
3 PLC	±	APPLICATION SPEC					
4 PLC	±	WEIGHT					
ANGLES	±						
MATERIAL							
FINISH							