

4

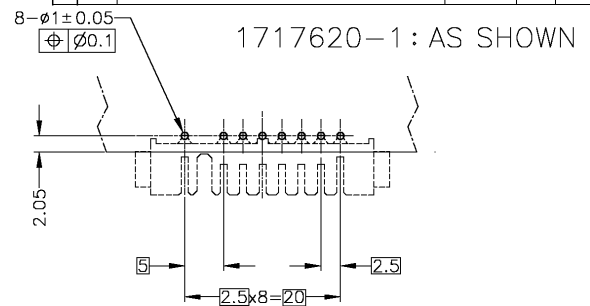
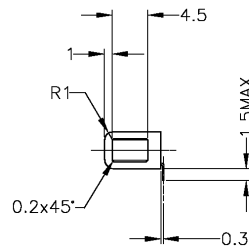
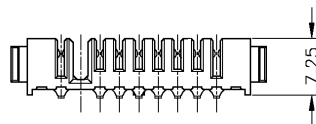
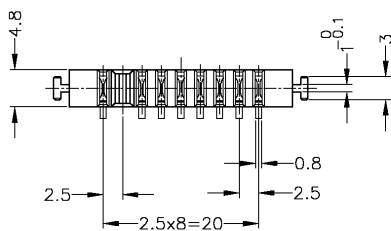
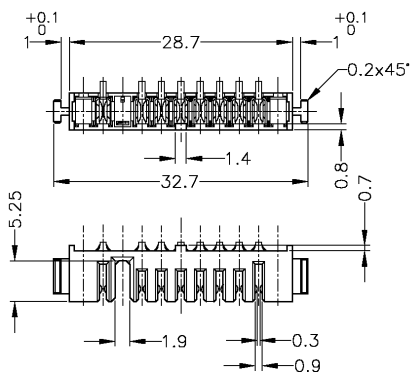
3

2

1

THIS DRAWING IS UNPUBLISHED. RELEASED FOR PUBLICATION 2002.
 © COPYRIGHT 2002 BY TYCO ELECTRONICS CORPORATION. ALL RIGHTS RESERVED.

LOC	DIST	REVISIONS					
		P	LTR	DESCRIPTION	DATE	DWN	APVD
J		A		REVISED	FJB0-0243-04	11MAR04	T.K. K.I.



基板取付参考寸法
 REFERENCE P.C. BOARD LAYOUT
 P.C. BOARD THK 0.8~1.2
 (VIEW FROM CONNECTOR MOUNTING SIDE)

- △ 材料
 ・ハウジング：熱可塑性樹脂、UL94V-0、黒
 ・コンタクト：銅合金
- △ 仕上げ
 ・コンタクト：ニッケル下地めっき
 接触部 金めっき
 半田付け部 無光沢錫めっき
- △ MATERIAL
 ・ HOUSING: THERMOPLASTIC RESIN, UL94V-0, BLACK
 ・ CONTACT: COPPER ALLOY
- △ FINISH
 ・ CONTACT: Ni ALL OVER UNDER PL.
 GOLD PL. AT CONTACT AREA
 TIN PL. (MATTE) AT LEAD AREA

鉛フリー
 LEAD FREE

THIS DRAWING IS A CONTROLLED DOCUMENT.		DWN	T. KATANO	16FEB04	Tyco Electronics AMP K.K. Kawasaki, Japan	
DIMENSIONS: 単位：mm		CHK	T. KIMURA	16FEB04		NAME 名称 2.5mm PITCH BATTERY CONNECTOR R/A RECEPTACLE ASSEMBLY 8POS.
TOLERANCES UNLESS OTHERWISE SPECIFIED: 数公差		APVD	K. IKEGAMI	16FEB04		
0 PLC ± 0.3 1 PLC ± 0.3 2 PLC ± 0.3 3 PLC ± 0.3 4 PLC ± 0.3 ANGLES ± 3°		APPLICATION SPEC 取付適用規格		SIZE	A3	
MATERIAL 材料	FINISH 仕上	WEIGHT		CAGE CODE	00779	
		CUSTOMER DRAWING		DRAWING NO 番号	1717620	
				RESTRICTED TO		
		SCALE 尺度		SHEET	1 OF 1	
				REV	A	