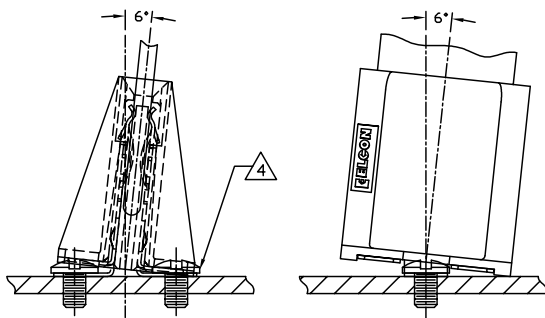


This drawing involves proprietary design rights of Tyco Electronics Corporation, and all design, manufacture, reproduction, use and sale rights regarding the same are expressly reserved. It is submitted for a specific purpose and the recipient by accepting this drawing, assumes custody and control and agrees to take reasonable precautions: (a) that this drawing will not be copied and reproduced, in whole or in part, or its contents, revealed in any manner, or in any form, except in most the purpose for which it was delivered and (b) that any special features peculiar to this design will not be incorporated in other projects without the expressed written permission of Tyco Electronics Corporation.



CONNECTOR SHOWN AT 6° OF FLOAT  
(SCREWS ARE SHOWN FOR REFERENCE ONLY)

6. ITEMS PROVIDED TO THIS SPECIFICATION TO BE PERMANENTLY IDENTIFIED PER THE FOLLOWING IDENTIFIER:

YEAR    WEEK     
 DATE CODE (e.g. 0625)  
 TYCO PART NUMBER      DATE CODE  
 XXXXXXXX-X              XXXXX

5. ALL DIMENSIONS SHOWN ACROSS A CENTERLINE (∅) SHALL BE CENTRALIZED WITHIN THE TOLERANCE INDICATED FOR THAT DIMENSION.

4. USER SUPPLIED MOUNTING HARDWARE: #8 OR M4 SCREWS (2X).

3. FINISHES:

CONTACT: GOLD PLATED, .000030 MIN THICK  
 OVER NICKEL PLATED, .000040 MIN THICK

2. MATERIALS:

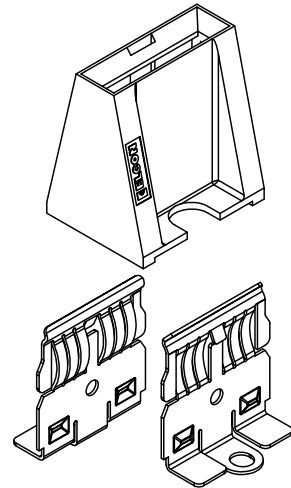
INSULATOR: THERMOPLASTIC, GLASS REINFORCED,  
 UL94V-0 FLAMMABILITY RATED, COLOR-BLACK  
 CONTACT: COPPER ALLOY

MATING BLADE: COPPER ALLOY WITH GOLD OR NICKEL PLATED

1. PART NUMBER CHANGES AND OR DESIGN CHANGES AFFECTING ITEM INTERCHANGEABILITY REQUIRE PRIOR ELCON APPROVAL AND AUTHORIZATION BY REVISION TO THIS DRAWING.

NOTES: UNLESS OTHERWISE SPECIFIED

REVISIONS			
EC	REV	DESCRIPTION	DATE
—	A	NEW RELEASE, PREVIOUSLY CUD 399-024	02/25/06



BEFORE ASSEMBLED

1643903-1	AS SHOWN
PART NUMBER	DESCRIPTION

<small>INCH OR INCH (MM)</small>  <small>THIRD ANGLE PROJECTION</small> <small>UNLESS OTHERWISE SPECIFIED DIMENSIONS ARE IN INCHES (METRIC)</small> <small>TOLERANCES</small> ANGLES ± .5° DECIMALS .XXX ± .010 (.25) .XX ± .02 (.3)	DRAWN HA NGUYEN CHECKED	DATE 02/25/06	1643903-1 AS SHOWN PART NUMBER DESCRIPTION
	APPROVED STEVE FLICKINGER DCA APPROVED	DATE 02/25/06	TITLE CONNECTOR, SOCKET STRAIGHT MOUNT, CROWN CLIP II
	APPROVED HA NGUYEN	DATE 02/25/06	SIZE DWG NUMBER B C-1643903
	ACAD FILE NUMBER C1643903A.DWG	DWG SCALE 2=1	REV. A

Tyco Electronics Corporation  
 Menlo Park, Ca 94025  
 ELCON

