

4

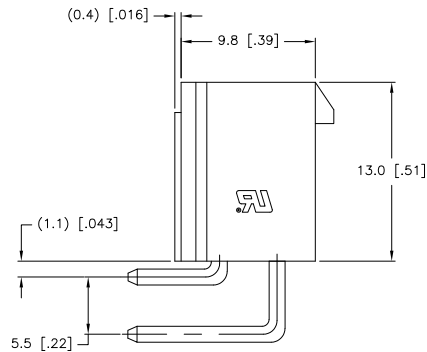
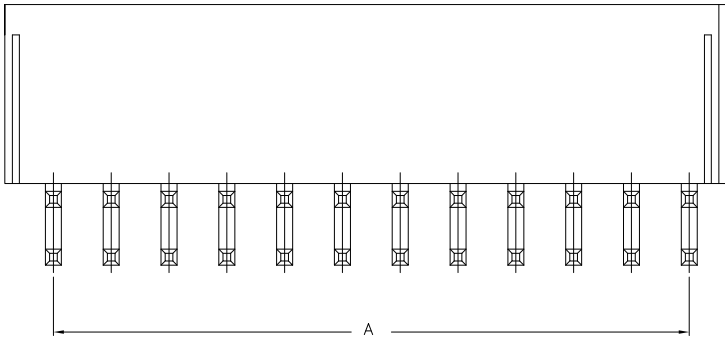
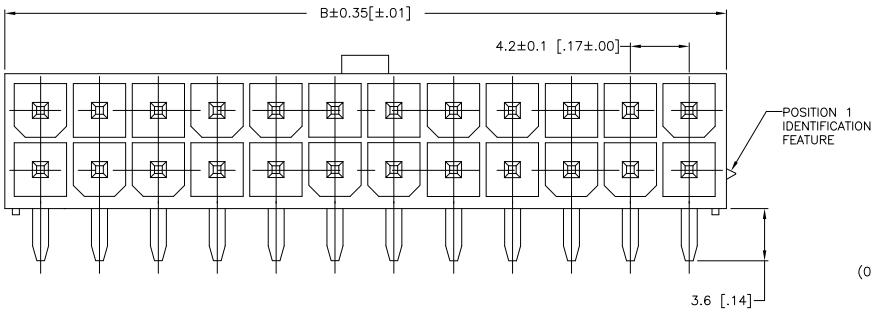
3

2

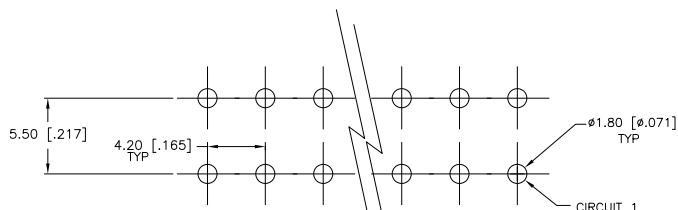
1

THIS DRAWING IS UNPUBLISHED. RELEASED FOR PUBLICATION. ALL RIGHTS RESERVED.

LOC	DIST	REVISIONS			
F	LNK	DESCRIPTION	DATE	BY	APPD
CM	00				
	B2	REVISED PER ECO-11-017436	29AUG11	HMR	SM



- △ MATERIAL: HOUSING-NYLON, UL94V-2 (COLOR-NATURAL, COLOR OF PARTS MAY VARY) CONTACTS-0.25 [.010] THICK BRASS ALLOY.
- △ CONTACT FINISH: 0.002032 [.000080] MIN MATTE TIN OVER 0.000381 [.000015] MIN NICKEL OVER ENTIRE CONTACT.
- 3 MATES WITH VAL-U-LOK(TM) RECEPTACLE HOUSINGS.



PCB LAYOUT: COMPONENT SIDE
RECOMMENDED BOARD THICKNESS 1.60 [.063]

2-1586041-4 SHOWN

2		5.4 [.21]	1586041-2
4	4.2±0.1 [.17±.00]	9.6 [.38]	1586041-4
6	8.4±0.1 [.33±.00]	13.8 [.54]	1586041-6
8	12.6±0.1 [.50±.00]	18.0 [.71]	1586041-8
10	16.8±0.1 [.66±.00]	22.2 [.87]	1-1586041-0
12	21.0±0.2 [.83±.01]	26.4 [1.04]	1-1586041-2
14	25.2±0.2 [.99±.01]	30.6 [1.21]	1-1586041-4
16	29.4±0.2 [1.16±.01]	34.8 [1.37]	1-1586041-6
18	33.6±0.2 [1.32±.01]	39.0 [1.54]	1-1586041-8
20	37.8±0.2 [1.49±.01]	43.2 [1.70]	2-1586041-0
22	42.0±0.2 [1.65±.01]	47.4 [1.87]	2-1586041-2
24	46.2±0.2 [1.82±.01]	51.6 [2.03]	2-1586041-4
POS	A	B±0.35[±.01]	PART NUMBER

THIS DRAWING IS A CONTROLLED DOCUMENT.

DM S. HOOVER	18-SEP-2002	TE Connectivity
CHK D. COLEY	18-SEP-2002	
APPRO D. COLEY	18-SEP-2002	RIGHT ANGLE HEADER, WITHOUT PEGS VAL-U-LOK(TM)
DIMENSIONS: mm [INCHES]		SIZE CASE CODE DRAWING NO
TOLERANCES UNLESS OTHERWISE SPECIFIED:		RESTRICTED TO
0 PLG ±		A2 00779 C=1586041
1 PLG ±		CUSTOMER DRAWING
2 PLG ±	0.5 [0.02]	SCALE 10:1 SHEET 1 of 1 REV B2
3 PLG ±	0.25 [0.010]	
4 PLG ±	0.150 [0.006]	
ANGLES ±		
FINISH		