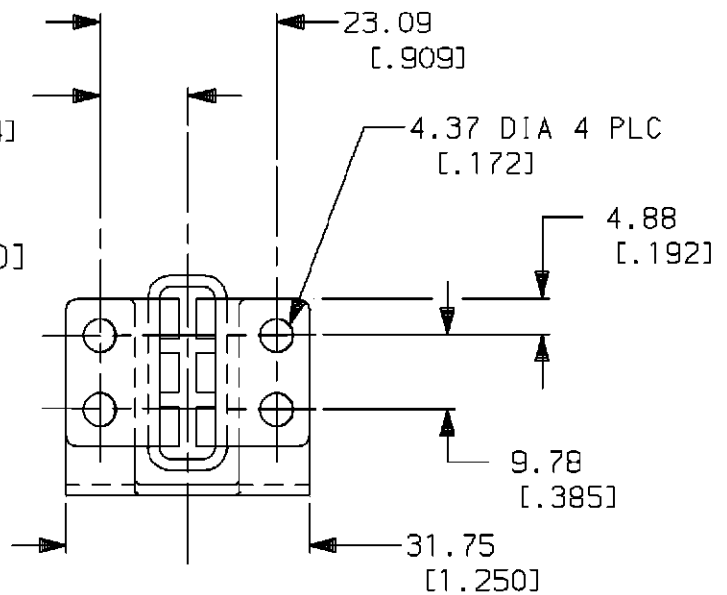
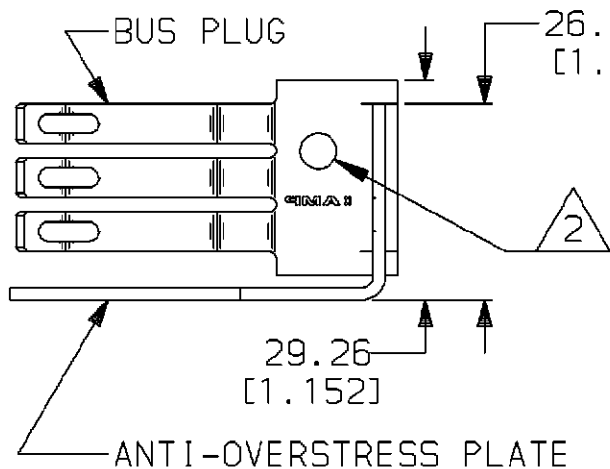
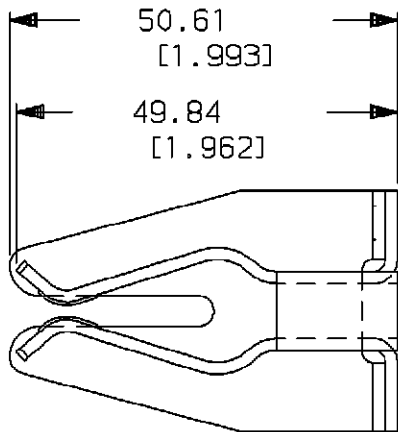




LOC BG	DIST 5	P	F	REVISIONS		
			LTR	DESCRIPTION	DATE	APPROVED
			C	REV PER LC00-0023-96	MAR96	DGA

- ALL DIMENSIONS REFERENCE ONLY
- PART MAY HAVE HOLE IN THIS LOCATON, BOTH SIDES.



**METRIC**

213647-1

PART NO

DO NOT SCALE PRINT.  
UNLESS SPECIFIED  
DIMENSIONS IN mm [IN]  
TOLERANCES ON:  
2 PLC DEC ± -  
3 PLC DEC ± -  
ANGLES ± -

MATERIAL  
BUS PLUG: COPPER ALLOY  
ANTI-OVERSTRESS PLATE:  
S.S.

FINISH  
BUS PLUG: Ag/Ni  
ANTI-OVERSTRESS PLATE:  
PASSIVATED

DR 12-12-91  
J WARD

CHK 12-12-91  
J LANDIS

APPD 12-12-91  
C WEIDLER

APPD 12-12-91  
C WEIDLER

PRODUCT SPEC  
108-1101

APPLICATION SPEC  
114-02111

WEIGHT -

**AMP**

AMP of CANADA Ltd.  
Markham, Ont.

NAME

AMP PDS 125F3 BUS PLUG  
W/GUIDE (SHORT)

SIZE

CAGE CODE

DRAWING NO

A

09482

213647

SCALE

NTS

SHEET

1 OF 1

RELEASED FOR PUBLICATION  
BY AMP OF CANADA LTD. ALL INTERNATIONAL RIGHTS RESERVED.

THIS DRAWING IS UNPUBLISHED.  
© COPYRIGHT 19