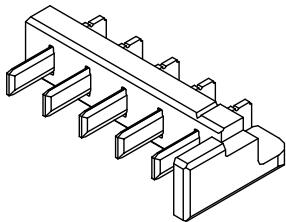
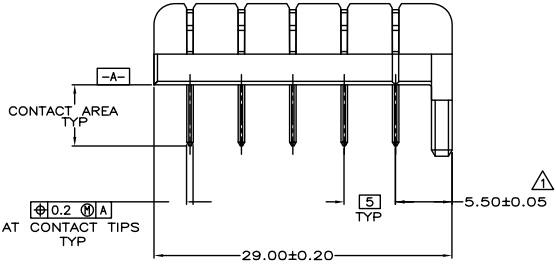
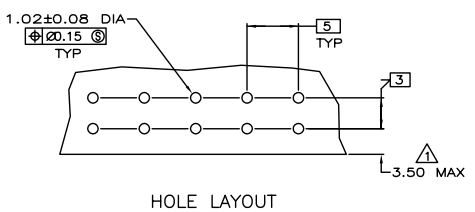
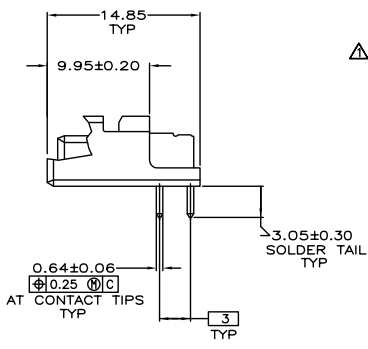
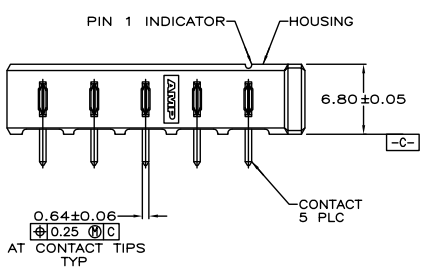


THIS DRAWING IS UNPUBLISHED. RELEASED FOR PUBLICATION .19
 © COPYRIGHT 19 BY AMP INCORPORATED. ALL INTERNATIONAL RIGHTS RESERVED.

LOC	DIST	P	F	ZONE	LTR	REVISIONS	DATE	APPD	S.Y.
ES	00				B	REVISED ECR-10-002761	09FEB2010		



△ COORDINATE DIMENSION APPLIES FROM CENTER OF ACTUAL FEATURE.



DO NOT SCALE PRINT. UNLESS SPECIFIED DIMENSIONS IN mm TOLERANCES ON : 2 PLC DEC ±0.10 3 PLC DEC ± - ANGLES ± -		DR 19APR05 WENKE HE		5787142-1 PART NO	
CHK 19APR05 STEVEN YAO		APPD 19APR05 ILENOWOTO		Tyco Electronics Shanghai, P.R.China, 200233	
MATERIAL HOUSING: LCP, BLACK CONTACTS: BRASS		PRODUCT SPEC -		NAME HEADER ASSEMBLY, RIGHT ANGLE, 5mm, 5 POSITION, SINGLE KEY, RIGHT VOLTAGE KEY, STRAIGHT SOLDER TAILS, BATTERY INTERCONNECT, 7.2 VOLT	
FINISH CONTACTS: 2.54 μm MIN TIN ON SOLDER TAIL OVER 1.90 μm MIN NICKEL ALL OVER		APPLICATION SPEC -		SIZE 00779 CAGE CODE DRAWING NO C-5787142	
WEIGHT -		SCALE 4:1		SHEET 10F 1	

THIS DRAWING IS A CONTROLLED DOCUMENT FOR AMP INCORPORATED. IT IS SUBJECT TO CHANGE AND THE CONTROLLING ENGINEERING ORGANIZATION SHOULD BE CONTACTED FOR THE LATEST REVISION.