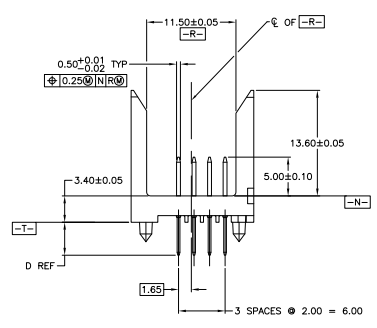
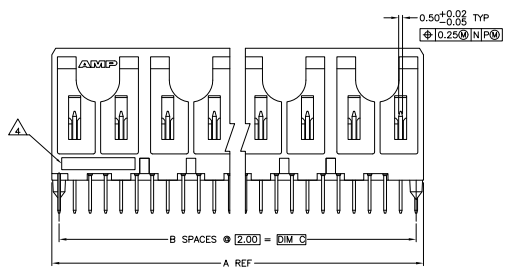
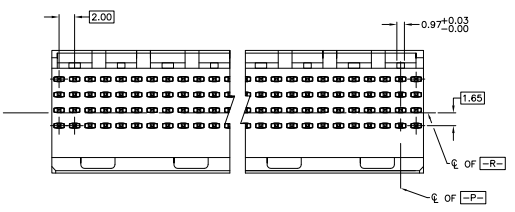
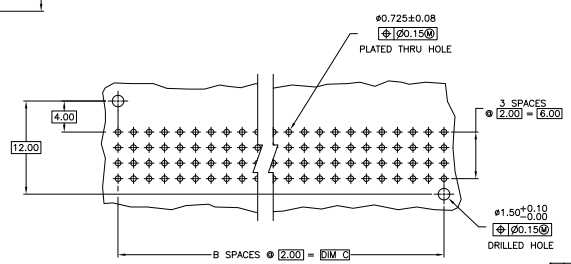
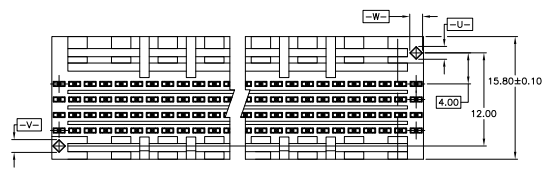
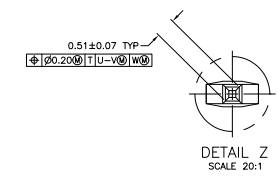


REV	DATE	DESCRIPTION	BY	CHK	APP
AD	00				
02		REVISED PER ECO-08-019086			



- △ HOUSING MATERIAL: LIQUID CRYSTAL POLYMER PER ASTM D5138 LCP000 G30A 32250.
- △ CONTACT MATERIAL: PHOSPHOR BRONZE.
- △ CONTACT FINISH:
 UNDERPLATE (ENTIRE CONTACT):
 0.00127 MIN NICKEL PER SAE-AMS-QQ-N-290.
 ON MATING SURFACES:
 CONFORMS TO ALL TESTING SPECIFIED FOR TELCORDIA UNCONTROLLED ENVIRONMENT.
 ON LEADS
 0.00381 MIN TIN PER ASTM B 545 OVER UNDERPLATE.
 LUBRICATION (MIN MATING SURFACES):
 SURFACE CONDITIONER AFTER PLATING.
- △ PART MARKING, LOCATED APPROXIMATELY AS SHOWN.
- △ CONTACT FINISH:
 UNDERPLATE (ENTIRE CONTACT):
 0.00127 MIN NICKEL PER SAE-AMS-QQ-N-290.
 ON MATING SURFACES:
 CONFORMS TO ALL TESTING SPECIFIED FOR TELCORDIA UNCONTROLLED ENVIRONMENT.
 ON LEADS
 FLASH GOLD PER ASTM B 488 OVER UNDERPLATE.
 LUBRICATION (MIN MATING SURFACES):
 SURFACE CONDITIONER AFTER PLATING.



4.25	70.00	35	71.88	△	144	5536513-9
4.25	94.00	47	95.88	△	192	5536513-8
4.25	46.00	23	47.88	△	96	5536513-7
4.25	22.00	11	23.88	△	48	5536513-6
4.25	70.00	35	71.88	△	144	5536513-5
4.25	94.00	47	95.88	△	192	5536513-4
4.25	46.00	23	47.88	△	96	5536513-3
4.25	22.00	11	23.88	△	48	5536513-2
4.25	10.00	5	11.88	△	24	5536513-1
D	C	B	A	FINISH	NO OF POSN	NUMBER

THIS DRAWING IS A CONTROLLED DOCUMENT.

DESIGNED BY	REVISIONS	DATE	BY
APPROVED BY	DATE	BY	DATE

Customer Drawing

Part Name: PIN ASSEMBLY, SIGNAL MODULE, Z-PACK 2mm FB
 2mm, 4 ROW, 5.00mm MATING LENGTH, SOLDER END

Part Number: 5536513

Scale: 4:1