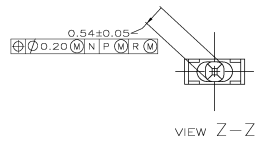
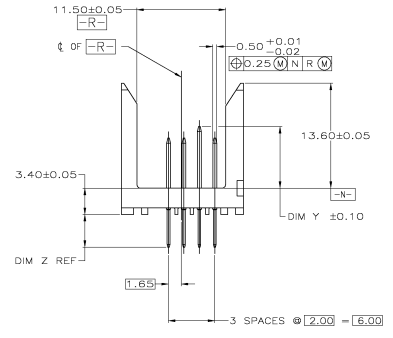
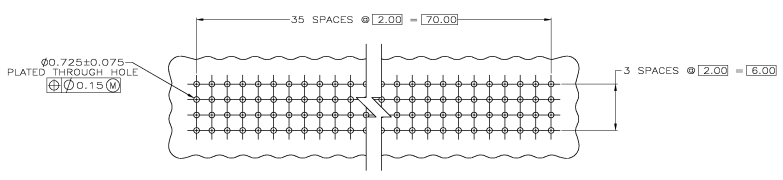
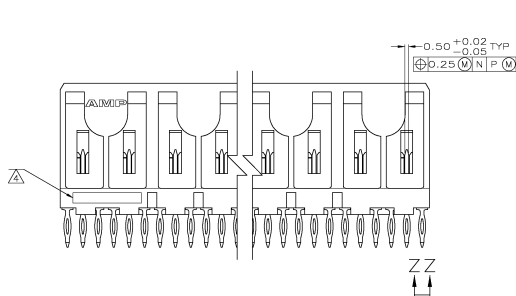
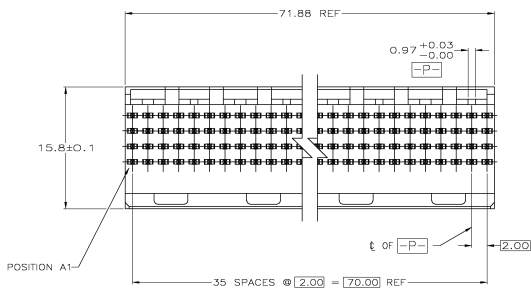


THIS DRAWING IS UNAPPROVED FOR REPRODUCTION  
 © COPYRIGHT 13 BY AMP INCORPORATED. ALL RIGHTS RESERVED.

REV. NO.		DESCRIPTION		DATE	BY	CHK	APP
AD	47	G	REV PER EC DS12-0414-03		ZAPEBDA	NK	RW



--	--	--	--	--	--	--	--	--	--	--	--	--	--	--	--	--	--	--	--

T	8.00	4.25
J	6.50	4.25
CONTACT LETTER	DIM Y	DIM Z

THIS DRAWING IS A CONTROLLED DOCUMENT		BY: SELEY	11/28/94	<b>AMP Incorporated</b> Harrisburg, PA 17105-3608
DIMENSIONS: mm		NO. APPROVALS:	11/28/94	
UNLESS NOTED OTHERWISE		DATE:	11/28/94	
ALL DIMENSIONS ARE IN MILLIMETERS		APPROVED:	11/28/94	
PIN ASSY SIGNAL MODULE Z-PACK, 2mm, FB, 2mm, 4 ROW, 144 POSITION, PRESS-FIT LEADS, WITH VARIOUS LEVELS OF SEQUENCING AMP 286 286 0000 02 A100779-223615				REVISION TO: 1 REV G