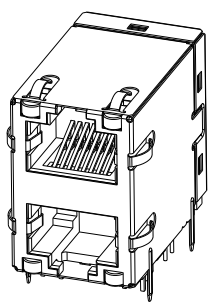
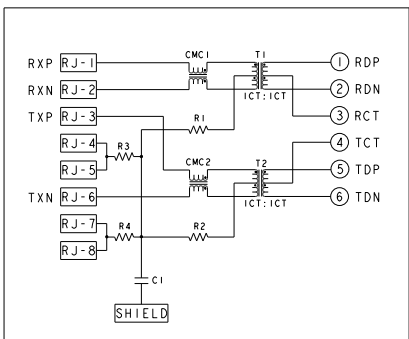


REVISONS		DATE	BY	APP
1	INITIAL RELEASE	198608	JC	RZ
A	ECO-12-903717	199602	GL	RZ



S866P9 10/100 BASE-T CIRCUIT  
 TOP AND BOTTOM PORTS



C1 = 1000pF, 2kV, XTR DECOUPLING CAPACITOR  
 R1-R4 = 75 Ohms, 1/16 W, RESISTORS

- MATERIALS:  
 PLASTIC HOUSING: BLACK, THERMOPLASTIC FLAMMABILITY RATING UL 94V-0  
 SHIELD: BRASS, PREPLATED WITH 0.76um MIN SEMI-BRIGHT NICKEL,  
 POST DIPPED WITH 2.54um MIN SAC SOLDER ON SOLDER TAILS,  
 CONTACTS: PHOSPHOR BRONZE, 1.27um MIN OVERALL NICKEL  
 UNDERPLATE WITH SELECT 1.27um MIN GOLD AT MATING INTERFACE  
 AND 2.54um MIN MATTE TIN ON SOLDER TAILS  
 ALL PCB BOARDS: HIGH TEMPERATURE PCB, TG>170°C
- MAGNETICS  
 APPLICATION: 10/100 BASE-T  
 IMPEDANCE: 100 OHMS  
 TURNS RATIO (CHIP: CABLE): TX = 1:1, RX = 1:1  
 OPEN CIRCUIT INDUCTANCE (OCL): 350nH MIN @100kHz, 0.1VRMS,  
 8mADC BIAS FROM 0°C TO 70°C, TX AND RX  
 PERFORMANCE @ 25°C:  
 INSERTION LOSS (IL): 1.1dB MAX FROM 0.5MHz TO 100MHz  
 RETURN LOSS (RL): 18dB MIN FROM 0.5MHz TO 30MHz  
 18-20LOG(f/30)dB MIN FROM 30.1MHz TO 60MHz  
 12dB MIN FROM 60.1MHz TO 80MHz  
 CROSSTALK ATTENUATION: 35dB MIN FROM 0.5MHz TO 40MHz  
 33-20LOG(f/50)dB MIN FROM 40.1MHz TO 100MHz  
 COMMON MODE REJECTION RATIO (CMRR): 30dB MIN FROM 0.5MHz TO 100MHz  
 ISOLATION VOLTAGE: 2250VDC (MAX) FOR 60 SECONDS WITH A RISE TIME  
 OF 500V/SEC AND WITH ALL PORTS CONNECTED.
- PART NUMBER, DATE CODE AND COUNTRY OF ORIGIN ARE LOCATED  
 IN APPROXIMATE AREA SHOWN. DATE CODE: "YY" IS YEAR, "WW" IS  
 WORK WEEK, "D" IS DAY OF WEEK, WITH SUNDAY=1
- TYCO ELECTRONICS LOGO AND AGENCY APPROVAL LOGO ARE  
 LOCATED IN APPROXIMATE AREA SHOWN.
- OPERATING TEMP: FROM 0°C TO +70°C.
- RJ45 CAVITY CONFORMS TO FCC RULES AND REGULATION PART 68 SUBPART F.
- INDICATED MAGNETIC CONNECTIONS ARE SYMMETRICAL AND  
 SUPPORT AUTO-MDI/MDIX.
- DATUM AND BASIC DIMENSION ESTABLISHED BY CUSTOMER.
- BASIC DIMENSION ESTABLISHED BY CUSTOMER, BUT MAY NOT BE  
 GREATER THAN 5.08mm.
- LEDS ARE DRIVEN WITH CONSTANT CURRENT AT APPROX 20mA  
 LED COLOR: DOMINANT WAVELENGTH (LD): GREEN 568 nm TYP. @ IF=20mA  
 FORWARD VOLTAGE (VF): GREEN 2.2V TYP. @ IF=20mA  
 DOMINANT WAVELENGTH (LD): YELLOW 588 nm TYP. @ IF=20mA  
 FORWARD VOLTAGE (VF): YELLOW 2.1V TYP. @ IF=20mA
- THE PARTS ARE RECOMMENDED FOR WAVE SOLDERING PROCESS,  
 PEAK TEMPERATURE 260°C MAX, 10 SECONDS MAX.

GREEN	YELLOW	GREEN	YELLOW	1840854-3
BOTTOM LED	BOTTOM LED	TOP LED 2	TOP LED 1	PART NUMBER

THIS DRAWING IS A CONTROLLED DOCUMENT.  
 THIS DRAWING IS UNCONTROLLED UNLESS INDICATED OTHERWISE

DATE	198608	BY	JC
DATE	199602	BY	GL

2X1 MAG451TM, 10/100 S866P9 CIRCUIT  
 GROUND SHIELD, WITH LEADS

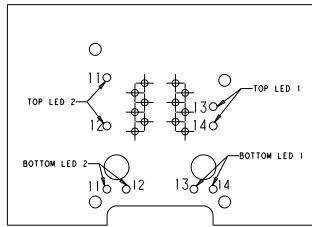
100779 1840854

CUSTOMER DRAWING

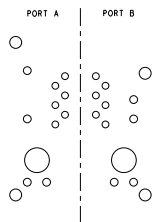
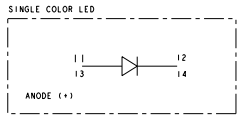




REV	DATE	DESCRIPTION	BY	CHK	APP
00		SEE SHEET 1			



LED HOLE DESIGNATIONS  
 VIEWED FROM COMPONENT SIDE



THIS PRODUCT HAS NOT COMPLETED  
 VALIDATION/QUALIFICATION TESTING

THIS DRAWING IS A CONTROLLED DOCUMENT		REV: 150202013	DATE: 150202013	REV: 150202013	DATE: 150202013
DRAWN BY: J. WILSON		DESIGNED BY: J. WILSON	DATE: 150202013	DATE: 150202013	DATE: 150202013
CHECKED BY: J. WILSON		DATE: 150202013	DATE: 150202013	DATE: 150202013	DATE: 150202013
APPROVED BY: J. WILSON		DATE: 150202013	DATE: 150202013	DATE: 150202013	DATE: 150202013
MATERIAL: -		REVISION: -	SCALE: -	SHEET: 4	TOTAL SHEETS: 4
CUSTOMER DRAWING		SCALE: 4	SHEET: 4	TOTAL SHEETS: 4	REV: A



2K1 MAG451TM, 10/100 S866P9 CIRCUIT  
 GROUND SHIELD, WITH LEADS