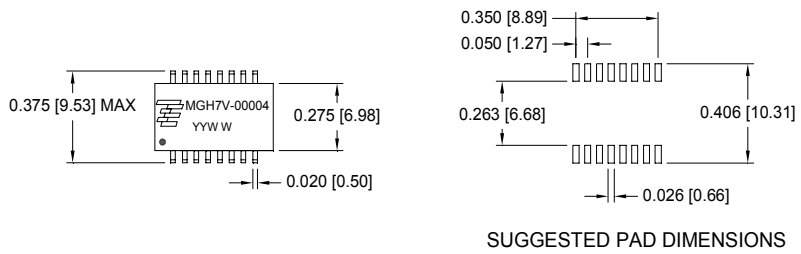
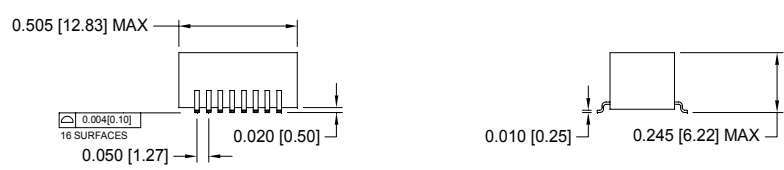


THIS DRAWING IS UNPUBLISHED. RELEASED FOR PUBLICATION
 ©COPYRIGHT BY TYCO ELECTRONICS CORPORATION. ALL RIGHTS RESERVED.

LOG	DISH	REVISIONS		DATE	DWN	APVD
P	LTR	DESCRIPTION				
-	-	-D	-CORRECTED UL94V-0 ECO-08-011155	2008-04	WM	D CH

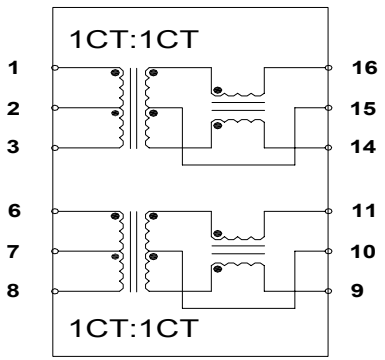


SUGGESTED PAD DIMENSIONS



ALL DIMENSIONS ARE IN INCHES [MILLIMETERS].
 ALL DIMENSIONS ARE ±0.005[0.127] UNLESS OTHERWISE NOTE.

SCHEMATIC



STANDARD FEATURES:
 SINGLE PORT INTERFACE FOR 10/100BASE-T APPLICATION.
 CABLE SIDE DATA PAIRS CAPABLE OF 350mA DC.
 DESIGN FOR IP PHONE OR SWITCH APPLICATIONS, COMPACT FOOTPRINT.
 COMPLIANT WITH IEEE 802.3 AND ANSI X3.263 STANDARDS.
 SURFACE MOUNT PACKAGE DESIGNED FOR REFLOW PROCESS(260°C PEAK).
 TAPE AND REEL PACKAGING STANDARD.
 PACKAGE MOLDED USING UL94V-0 RATED MATERIAL.
 DESIGNED TO MEET RoHS LEAD-FREE REQUIREMENTS.

10/100BASE-T ELECTRICAL CHARACTERISTICS @ 25°C
 INDUCTANCE: 350uH MIN WITH 8mADC BIAS -40°C to +85°C
 (EACH TRANSFORMER MEASURED ON THE CABLE SIDE)

DIELECTRIC ISOLATION: 1500V RMS MINIMUM

FREQUENCY	INSERTION LOSS (dB MAX)	RETURN LOSS (dB MIN) (Note 1)	CROSSTALK ATTENUATION (dB MIN)	TX CMRR (dB MIN)	RX CMRR (dB MIN)
0.1MHz - 1MHz	1.0	18.0	43.0	42.0	42.0
1.1MHz - 15MHz	0.5	18.0	43.0	42.0	42.0
15.1MHz - 30MHz	0.8	18.0	43.0	42.0	42.0
30.1MHz - 60MHz	0.8	12.0 @ 60MHz	43.0	42.0	42.0
60.1MHz - 80MHz	1.1	12.0 @ 80MHz	38.0	38.0	38.0
80.1MHz - 100MHz	1.2	10.0 @ 100MHz	38.0	35.0	35.0

NOTES:
 1) MINIMUM RETURN LOSS IS AS FOLLOWS WITH A CIRCUIT IMPEDANCE OF 100 Ohm:
 0.1MHz - 29.9MHz = 18dB
 30MHz - 60MHz = 18 - 20Log₁₀(f/30) dB WHERE f IS IN MHz
 60MHz - 80MHz = 12dB
 80.1MHz - 100MHz = 10dB

OPERATING TEMPERATURE -40 TO +85 °C



THIS DRAWING IS A CONTROLLED DOCUMENT.		DWN WM CHONG	Tyco Electronics Corporation ChangPing China	
DIMENSIONS: mm	TOLERANCES UNLESS OTHERWISE SPECIFIED: 0 PLC ±0.25MM 1 PLC ±0.25MM 2 PLC ±0.25MM 3 PLC ±0.25MM 4 PLC ±0.25MM ANGLES ±°	APVD -DCH	NAME: 10/100BASE-T TRANSFORMER FOR PoE APPLICATIONS, SINGLE PORTSMT PACKAGE, EXTENDED TEMPERATURE.	
MATERIAL: PLASTIC:UL94V-0 RATED MATERIAL:METAL:PHOSPHOR BRONZE 0.51mmX0.25mm.	FINISH: PLATED 100% PURE MATTE TIN 0.00015-0.00100 INCH.	PRODUCT SPEC -	SIZE A3	CAGE CODE 00779
CUSTOMER DRAWING		APPLICATION SPEC -	DRAWING NO MGH7V-00004	RESTRICTED TO -
			SCALE 1:1	SHEET 1:1
			REV D	