

4

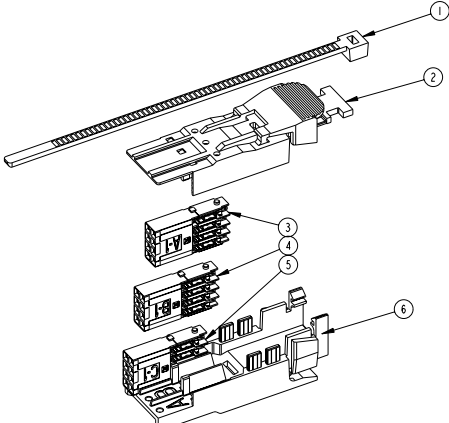
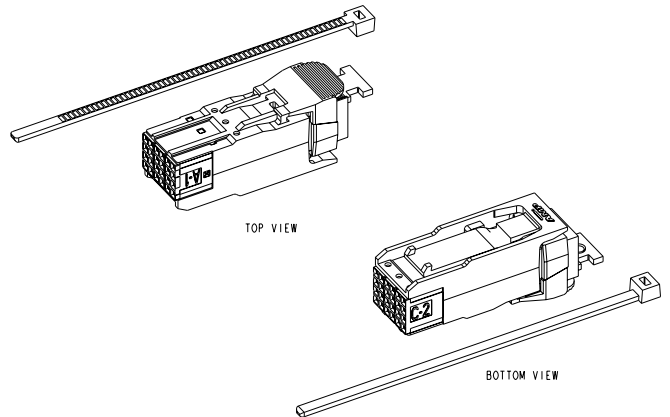
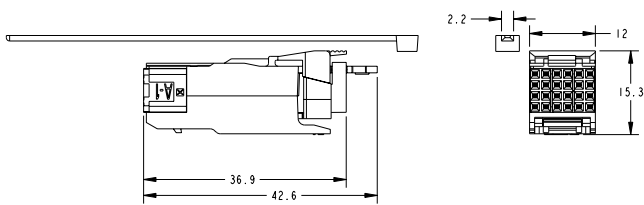
3

2

1

THIS DRAWING IS UNPUBLISHED. RELEASED FOR PUBLICATION 2009
 BY TYCO ELECTRONICS CORPORATION. ALL INTERNATIONAL RIGHTS RESERVED.
 COPYRIGHT 2009

REVISONS		DATE	BY	APPROV
P	LYA			
E	EH01-0803-03	07JUL03	MVE	
F	ECR-06-015204	22JUN2006	JB	
F1	ECR-10-001213	09APR10	RK	SRE



- NOTES**
1. THE CONNECTOR CONTAINS 3 MODULES OF 2X4 CONTACTS FORMING A 2MM CONTACT GRID.
 2. THE CONNECTOR MATES WITH Z-PACK 2mm FUTUREBUS+ RECEPTACLE ASSEMBLIES ACCORDING TO SPECIFICATION IEC61076-4-104
 3. MATERIALS:
 MODULE HOUSING: LIQUID CRISTAL POLYMER
 TOP COVER, CABLE TIE: POLYAMIDE
 SIGNAL CONTACT: PHOSPHOR BRONZE
 BOTTOM COVER SUBASSY:
 BOTTOM COVER: POLYAMIDE
 LATCH: LIQUID CRYSTAL POLYMER
- ⚠ PLATING OF SIGNAL CONTACTS:
 2.0 µm min. GOLD OVER 1.25 µm min. NICKEL IN CONTACT AREA.
 1.0 µm min. TIN OVER 1.25 µm min. NICKEL IN TERMINATION AREA.
5. PACKAGING PER COMPONENT: BULK OF 100 PIECES.
 CONNECTOR KITS ARE SUPPLIED IN QUANTITY OF 500 PIECES PER SHIPPING BOX.
 6. 6.0 MM. MAX. OUTER CABLE DIAMETER.

QTY	DESCRIPTION	ITEM NO.
1	BOTTOM COVER SUBASSY	6
1	MODULE C1/C2	5
1	MODULE B1/B2	4
1	MODULE A1/A2	3
1	TOP COVER	2
1	CABLE TIE	1

AWG 26-24	AWG 30-26	FINISH	1-338914-1
WIRE SIZE	WIRE SIZE	FINISH	338914-1
			PART NUMBER

DIMENSIONS:		OPERATING SPECIFICATIONS:		PRODUCT SPEC		APPLICATION SPEC		WEIGHT		SIZE		CAGE CODE		DRAWING NO.		RESTRICTED TO	
mm		TEMPERATURE RANGE:		108-19196		114-19047		-		A2		00779		338914		-	
MATERIAL:		FINISH:		CUSTOMER DRAWING		SCALE 2:1		SHEET 1		OF 1		REV F1					

1471-9 (12/09)

PROFESSOR DRAWING