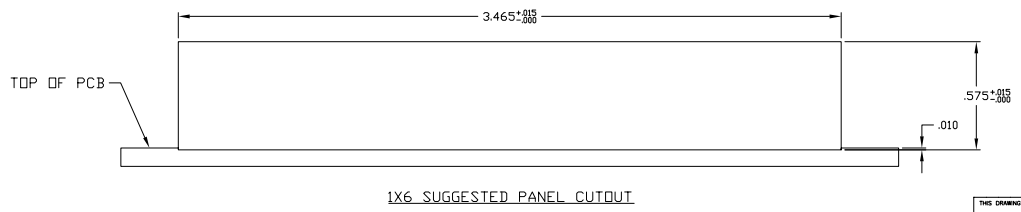
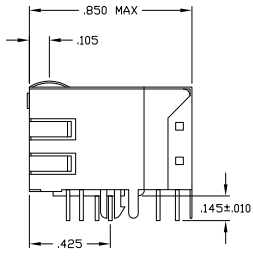
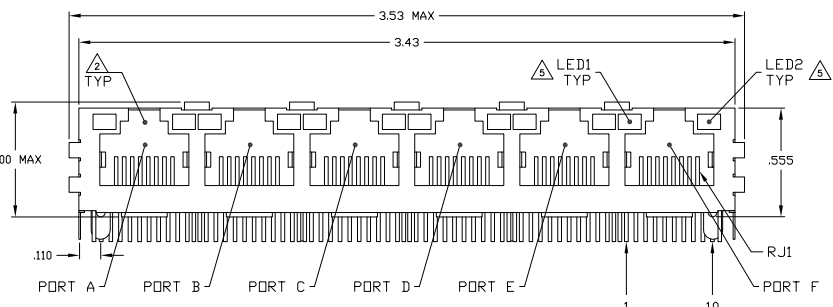
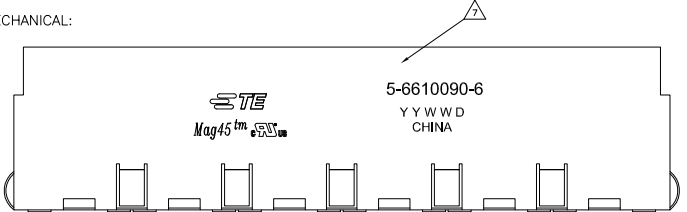


THIS DRAWING IS UNPUBLISHED. RECORD FOR FULFILLMENT. ALL RIGHTS RESERVED.

REV	DATE	DESCRIPTION	BY	CHK	APP
AA	22				
B	ECC-09-005596			31MAR2006	VL LR
C	ECC-11-013352			20MAR2011	EL LR

MECHANICAL:



- △ MATERIALS:
 - HOUSING - THERMOPLASTIC PET POLYESTER FLAMMABILITY RATING UL 94V-0
 - SHIELD - .010" THICK, C26800 BRASS PREPLATED WITH 30µINCH MIN SEMI-BRIGHT NICKEL, SOLDER TABS POST DIPPED WITH 100µINCH MIN SAC SOLDER
 - MID JACK CONTACTS - 0.0157 X 0.018" PHOSPHOR BRONZE, 50µINCH MIN OVERALL NICKEL UNDERPLATE WITH SELECT 50µINCH MIN HARD GOLD FINISH PLATE. SOLDER TABS WITH 100µINCH MIN MATTE TIN AND/OR SAC SOLDER DIP
 - LIGHT EMITTING DIODE(LED) - DIFFUSED EPOXY LENS, .020" X .020" CARBON STEEL WIREFRAME LEADS PRE-PLATED WITH 80µINCH SILVER OVER 40µINCH NICKEL UNDERPLATE OVER 40µINCH COPPER UNDERPLATE, POST-PLATED WITH 100µINCH MIN MATTE TIN AND/OR SAC SOLDER DIP OR PURE TIN SOLDER DIP.
- △ RJ45 JACK CAVITY CONFORMS TO FCC RULES AND REGULATIONS PART 68, SUB PART F.
- △ MAGNETICS
 - PIPE DANCE: 100 OHMS
 - TURNS RATIO (CHIP CABLE): 1:1 ALL FOUR PAIRS
 - OPEN CIRCUIT INDUCTANCE (OCL): 350pH MIN @100kHz, 0 IVRMS, 8mADC BIAS FROM 0°C TO 70°C, ALL FOUR PAIRS
 - ALL FOUR PAIRS BI-DIRECTIONAL
 - PERFORMANCE @ 25°C:
 - INSERTION LOSS (IL): 1.1dB MAX FROM 0.5MHz TO 100MHz
 - RETURN LOSS (RL): 18dB MIN FROM 0.5MHz TO 100MHz
 - CROSSTALK ATTENUATION: 35dB MIN FROM 0.5MHz TO 100MHz
 - 33-20*LOG(I/F) 80dB MIN FROM 4.0MHz TO 100MHz
 - COMMON MODE REJECTION RATIO (CMRR): 30dB MIN FROM 0.5MHz TO 100MHz
 - ISOLATION VOLTAGE: 2250VDC (MAX) FOR 60 SECONDS WITH A RISE TIME OF 500V/SEC AND WITH ALL PORTS CONNECTED.
- 4. OPERATING TEMPERATURE: FROM 0°C TO +70°C.
- △ LEDs ARE DRIVEN WITH 5V VOLTAGE AND THE MAX OPERATING CURRENT IS 20mA.
- LED COLOR: DOMINANT WAVELENGTH (λD): GREEN 568 nm TYP @ VF=5V
 FORWARD CURRENT (IF): GREEN 12mA TYP @ VF=5V
 DOMINANT WAVELENGTH (λD): YELLOW 588 nm TYP @ VF=5V
 FORWARD CURRENT (IF): YELLOW 13mA TYP @ VF=5V
- △ INDICATED MAGNETIC CONNECTIONS ARE SYMMETRIC AND SUPPORT AUTO-MDM/MDX.
- △ TE CONNECTIVITY LOGO, PART NUMBER, DATE CODE, COUNTRY OF ORIGIN AND AGENCY APPROVAL MARKING IN APPROXIMATE LOCATION SHOWN.
- 8. THE PART IS RECOMMENDED FOR WAVE SOLDERING PROCESS. PREHEAT TEMPERATURE IS 120°C TO 160°C, 120 SECONDS TO 180 SECONDS. PEAK WAVE SOLDERING TEMPERATURE IS 260°C MAX, 10 SECONDS MAX.

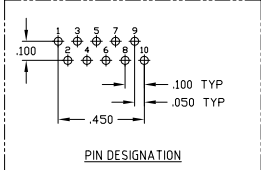
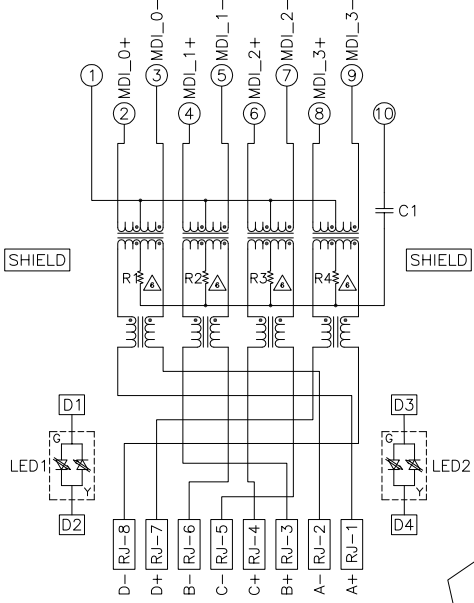
GREEN/YELLOW	GREEN/YELLOW	5-6610090-6
LED1	LED2	PART NUMBER

THIS DRAWING IS A CONTROLLED DOCUMENT		TE CONNECTIVITY	
REV	DATE	REV	DATE
1	10B-2100	1	10B-2100
2		2	
3		3	
4		4	
5		5	
6		6	
7		7	
8		8	
9		9	
10		10	
11		11	
12		12	
13		13	
14		14	
15		15	
16		16	
17		17	
18		18	
19		19	
20		20	
21		21	
22		22	

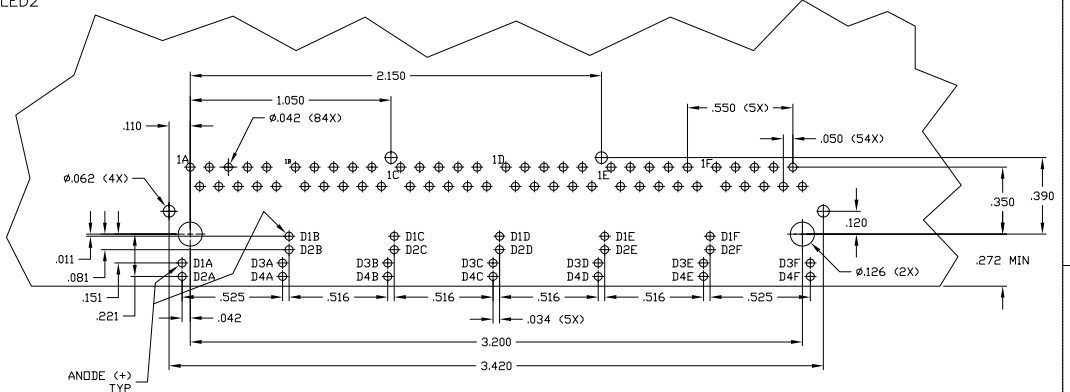
CUSTOMER DRAWING

REV	DATE	REVISIONS	BY	CHK	APP
AA	22	REVISION			
		DESCRIPTION			
		SEE SHEET 1			

7G01P1 SERIES MAGNETIC CIRCUIT



C1 = 1000pF, 2kV DECOUPLING CAPACITOR
 R1-R4 = 75 OHMS, 1/16 W RESISTORS



SUGGESTED PCB LAYOUT
(COMPONENT SIDE)

THIS DRAWING IS A CONTROLLED DOCUMENT.		<table border="1"> <tr> <td>REV</td> <td>DATE</td> <td>REVISIONS</td> </tr> <tr> <td>AA</td> <td>22</td> <td>REVISION</td> </tr> </table>	REV	DATE	REVISIONS	AA	22	REVISION												
REV	DATE	REVISIONS																		
AA	22	REVISION																		
<table border="1"> <tr> <th>REVISION</th> <th>DATE</th> <th>DESCRIPTION</th> </tr> <tr> <td>1</td> <td></td> <td>1X6 MAG45(TM) MODULAR JACK, 701 GIG SCHEMATIC, 701P1 SERIES MAG CIRCUIT (10 PIN HORIZONTAL), DECOUPLING CAP, SHIELDED, WITH 0.71 - 0.71 LEADS</td> </tr> </table>	REVISION	DATE	DESCRIPTION	1		1X6 MAG45(TM) MODULAR JACK, 701 GIG SCHEMATIC, 701P1 SERIES MAG CIRCUIT (10 PIN HORIZONTAL), DECOUPLING CAP, SHIELDED, WITH 0.71 - 0.71 LEADS	<table border="1"> <tr> <td>REV</td> <td>DATE</td> <td>REVISIONS</td> </tr> <tr> <td>AA</td> <td>22</td> <td>REVISION</td> </tr> </table>	REV	DATE	REVISIONS	AA	22	REVISION	<table border="1"> <tr> <td>REV</td> <td>DATE</td> <td>REVISIONS</td> </tr> <tr> <td>AA</td> <td>22</td> <td>REVISION</td> </tr> </table>	REV	DATE	REVISIONS	AA	22	REVISION
REVISION	DATE	DESCRIPTION																		
1		1X6 MAG45(TM) MODULAR JACK, 701 GIG SCHEMATIC, 701P1 SERIES MAG CIRCUIT (10 PIN HORIZONTAL), DECOUPLING CAP, SHIELDED, WITH 0.71 - 0.71 LEADS																		
REV	DATE	REVISIONS																		
AA	22	REVISION																		
REV	DATE	REVISIONS																		
AA	22	REVISION																		
CUSTOMER DRAWING		<table border="1"> <tr> <td>REV</td> <td>DATE</td> <td>REVISIONS</td> </tr> <tr> <td>AA</td> <td>22</td> <td>REVISION</td> </tr> </table>	REV	DATE	REVISIONS	AA	22	REVISION	<table border="1"> <tr> <td>REV</td> <td>DATE</td> <td>REVISIONS</td> </tr> <tr> <td>AA</td> <td>22</td> <td>REVISION</td> </tr> </table>	REV	DATE	REVISIONS	AA	22	REVISION					
REV	DATE	REVISIONS																		
AA	22	REVISION																		
REV	DATE	REVISIONS																		
AA	22	REVISION																		