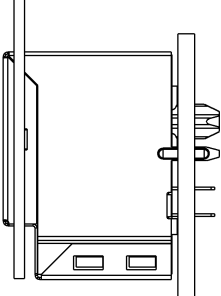
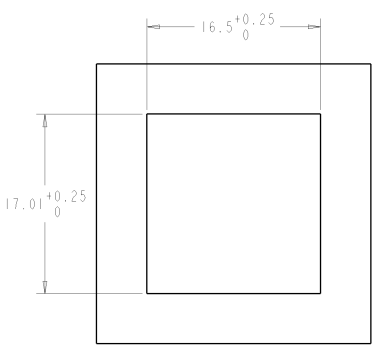
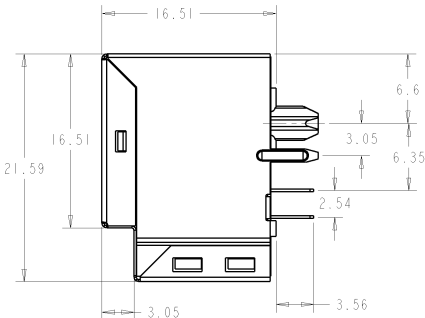
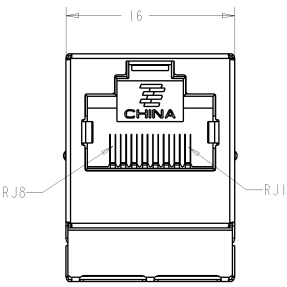
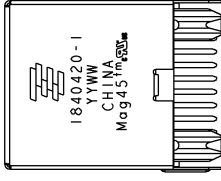
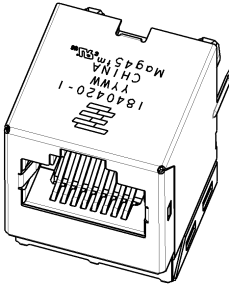


THIS DRAWING IS UNPUBLISHED. RELEASED FOR FABRICATION.
 (C) COPYRIGHT 2008 BY TYCO ELECTRONICS CORPORATION. ALL RIGHTS RESERVED.

REV	DATE	DESCRIPTION	DATE	APPV
AA	00			
B		ECO-08-004426	22APR2008	TR TX



1. MATERIALS
 HOUSING: THERMOPLASTIC, BLACK, FLAMMABILITY RATED UL 94V-0
 SHIELD: BRASS, 0.20mm THICK,
 PREPLATED WITH MIN 0.76um SEMI-BRIGHT NICKEL
 POST DIPPED WITH 2.54um MIN SAC SOLDER AT GROUND PINS.
 CONTACT: PHOSPHOR BRONZE
 WITH 1.27um MIN OVERALL NICKEL UNDERPLATE AND
 SELECTIVE 1.27um MIN GOLD PLATING AT MATING INTERFACE
 SOLDER TAIL: PHOSPHOR BRONZE
 WITH 1.27um MIN OVERALL NICKEL UNDERPLATE AND
 PLATED WITH 2.54um MIN TIN
 LED: DIFFUSED EPOXY LENS, 0.50mm SQUARE CARBON STEEL WIREFRAME LEADS
 PREPLATED WITH 2.03um MIN SILVER OVER 1.02um MIN NICKEL
 OVER 1.02um MIN COPPER UNDERPLATE POST PLATED WITH 2.54um MIN TIN

- △ MAGNETICS
 -APPLICATION: 10/100 BASE-T
 -IMPEDANCE: 100 OHMS
 -TURNS RATIO (CHIP:CABLE): TX = 1:1, RX = 1:1
 -OPEN CIRCUIT INDUCTANCE (OCL): 350uH MIN @100kHz, 0.1VRMS,
 8mADC BIAS FROM 0°C TO 70°C, TX AND RX
 -PERFORMANCE @ 25°C:
 INSERTION LOSS (IL): 1 dB MAX FROM 0.5MHz TO 100MHz
 RETURN LOSS (RL): 18dB MIN FROM 0.5MHz TO 30MHz
 18-20LOG(I/I0)dB MIN FROM 30.1MHz TO 60MHz
 12dB MIN FROM 60.1MHz TO 80MHz
 CROSSTALK ATTENUATION: 35dB MIN FROM 0.5MHz TO 40MHz
 33-20LOG(I/I0)dB MIN FROM 40.1MHz TO 100MHz
 COMMON MODE REJECTION RATIO (CMRR): 30dB MIN FROM 0.5MHz TO 100MHz
 -ISOLATION VOLTAGE: COMPLIES WITH IEEE802.3 2002, PARA 23.5.1.1, ITEM b.

- △ THE MAGNETIC ARE SYMMETRICAL AND SUPPORT AUTO-MDIX OPERATION.
 4. OPERATING TEMPERATURE: 0 ~ 70°C
 5. ALL DIMENSIONS TO BE NOMINAL UNLESS OTHERWISE NOTED
 6. RJ45 CAVITY CONFORMS TO FCC RULES AND REGULATION PART 68 SUBPART F.

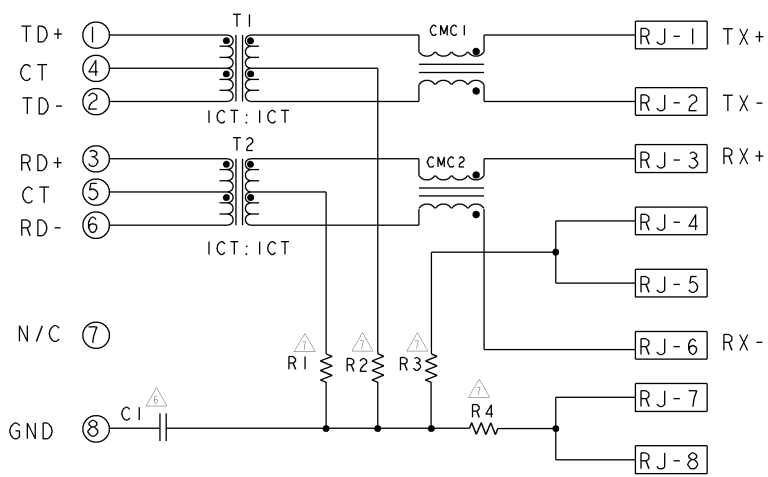
1840420-1
 PART NUMBER

TYCO ELECTRONICS CORPORATION, 20000 WILSON AVENUE, WILSON, CA 94093, USA		DATE: TOMMY_BEN 18AUG2006	Tyco Electronics Chongqing, China	
DIMENSIONS: 0.001" (0.0254mm) UNLESS OTHERWISE SPECIFIED		CHK: XILH_ZHU 18AUG2006	NAME: (1X1) MAG45(TM) MODULAR JACK, VERTICAL TYPE, 426P13 CIRCUIT, WITHOUT LED	
ITEM: 1840420-1		DATE: TOMMY_BEN 18AUG2006	SIZE: A2	
MATERIAL: 108-2100		APPLICATION SPEC: -	SCALE: 3:1	SHEET 1 OF 2
FINISH: -		REVISION: -	REV: B	
CUSTOMER DRAWING		DRAWING NO: 1840420		

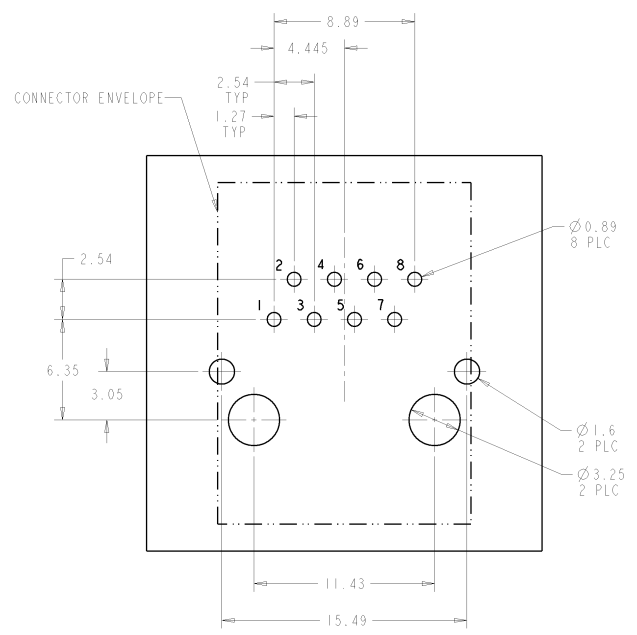
THIS DRAWING IS UNPUBLISHED. RELEASED FOR FABRICATION.
 (C) COPYRIGHT 2007 BY TYCO ELECTRONICS CORPORATION. ALL RIGHTS RESERVED.

REV	DATE	DESCRIPTION	DATE	CHK	APP
AA	00	SEE SHEET 1	-	-	-

426P13 10/100 BASE-T CIRCUIT $\Delta\Delta$



C1 = 1000pF, 2KV, CAPACITOR
 R1 - R4 = 75 ohms, RESISTOR



SUGGESTED PCB LAYOUT (TOL: ± 0.05)
 (COMPONENT SIDE VIEW)

DIMENSIONS: ITEM 2. PLC 80.25 3. PLC 80.25 4. PLC 80.25 5. PLC 80.25 6. PLC 80.25 ANGLE FINISH		DAW TOMMY REN 18AUG2006 CHA XUEH ZHU 18AUG2006 ZHU 18AUG2006 NAME 1X1 MAG45(TM) MODULAR JACK, VERTICAL TYPE, 426P13 CIRCUIT, WITHOUT LED PRODUCT SPEC 108-2100 APPLICATION SPEC SIZE A2 00779 ©=1840420 CUSTOMER DRAWING		Tyco Electronics Chongqing, China RESTRICTED TO	
SCALE 3:1		SHEET 2 OF 2		REV B	