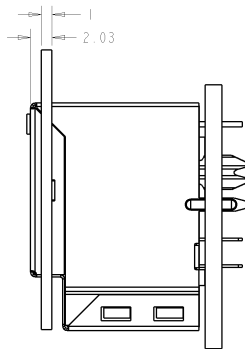
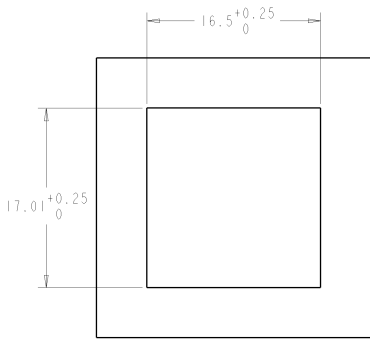
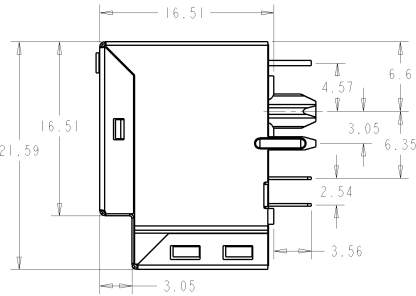
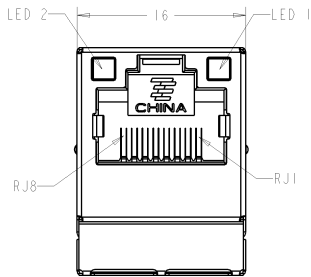
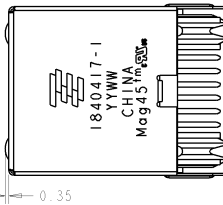
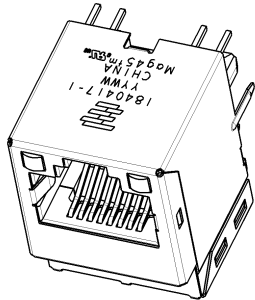


THIS DRAWING IS UNPUBLISHED.
 RELEASED FOR FABRICATION
 (C) COPYRIGHT 2008 BY TYCO ELECTRONICS CORPORATION. ALL RIGHTS RESERVED.

REV	DATE	DESCRIPTION	DATE	CHK	APP
AA	00				
B	ECO-08-004426		20APR2008	TR	TX



- MATERIALS
 HOUSING: THERMOPLASTIC, BLACK, FLAMMABILITY RATED UL 94V-0
 SHIELD: BRASS, 0.20mm THICK,
 PREPLATED WITH MIN 0.75um SEMI-BRIGHT NICKEL
 POST DIPPED WITH 2.54um MIN SAC SOLDER AT GROUND PINS.
 CONTACT: PHOSPHOR BRONZE,
 WITH 1.27um MIN OVERALL NICKEL UNDERPLATE AND
 SELECTIVE 1.27um MIN GOLD PLATING AT MATING INTERFACE
 SOLDER TAIL: PHOSPHOR BRONZE,
 WITH 1.27um MIN OVERALL NICKEL UNDERPLATE AND
 PLATED WITH 2.54um MIN TIN
 LED: DIFFUSED EPOXY LENS, 0.50mm SQUARE CARBON STEEL WIREFRAME LEADS
 PREPLATED WITH 2.03um MIN SILVER OVER 1.02um MIN NICKEL
 OVER 1.02um MIN COPPER UNDERPLATE POST PLATED WITH 2.54um MIN TIN

- △ MAGNETICS
 - APPLICATION: 10/100/1000 BASE-T
 - IMPEDANCE: 100 OHMS
 - TURNS RATIO (CHIP: CABLE): 1:1 ALL FOUR PAIRS
 - OPEN CIRCUIT INDUCTANCE (OCL): 350nH MIN @100kHz, 0.1VRMS,
 8mADC BIAS FROM 0°C TO 70°C, ALL FOUR PAIRS
 - ALL FOUR PAIRS BI-DIRECTIONAL
 - PERFORMANCE @ 25°C:
 INSERTION LOSS (IL): 1.1dB MAX FROM 0.5MHz TO 100MHz
 RETURN LOSS (RL): 18dB MIN FROM 0.5MHz TO 40MHz
 12-20LOG(I/I0)dB MIN FROM 40.1MHz TO 100MHz
 CROSSTALK ATTENUATION: 35dB MIN FROM 0.5MHz TO 40MHz
 33-20LOG(I/I0)dB MIN FROM 40.1MHz TO 100MHz
 COMMON MODE REJECTION RATIO (CMRR): 30dB MIN FROM 0.5MHz TO 100MHz
 ISOLATION VOLTAGE: COMPLIES WITH IEEE802.3 2002, PARA 40.6.1.1, ITEM b.

- △ THE MAGNETIC ARE SYMMETRICAL AND SUPPORT AUTO-MDIX OPERATION.
 4. OPERATING TEMPERATURE: 0 ~ 70°C
 5. LED IS DRIVEN WITH CONSTANT CURRENT AT APPROX 20mA.
 DOMINANT WAVELENGTH(λD)
 GREEN 568nm TYP.at IF=20mA
 YELLOW 588nm TYP.at IF=20mA
 FORWARD VOLTAGE(VF):
 GREEN 2.2V TYP.at IF=20mA
 YELLOW 2.1V TYP.at IF=20mA
 6. ALL DIMENSIONS TO BE NOMINAL UNLESS OTHERWISE NOTED
 7. RJ45 CAVITY CONFORMS TO FCC RULES AND REGULATION PART 68 SUBPART F.

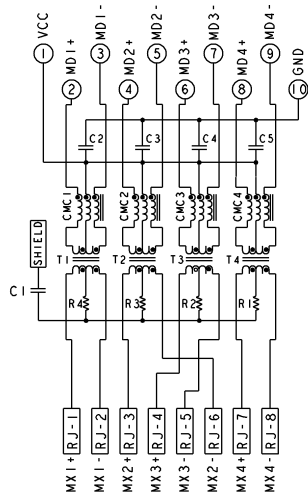
LED 1	LED 2	PART NUMBER
GRN/YEL	GRN/YEL	1840417-4
YELLOW	GREEN	1840417-3
GREEN	YELLOW	1840417-2
GREEN	GREEN	1840417-1

TYCO ELECTRONICS CORPORATION		TYCO ELECTRONICS	
DATE: 18AUG2006	BY: TOMMY BEN	DATE: 18AUG2006	BY: XIAO ZHI
REV: 00	CHK: XIAO ZHI	REV: 00	CHK: XIAO ZHI
DIMENSIONS:		PRODUCT SPEC	
MATERIAL:		APPLICATION SPEC	
FINISH:		REIGHT:	
CUSTOMER DRAWING		SCALE: 3:1	

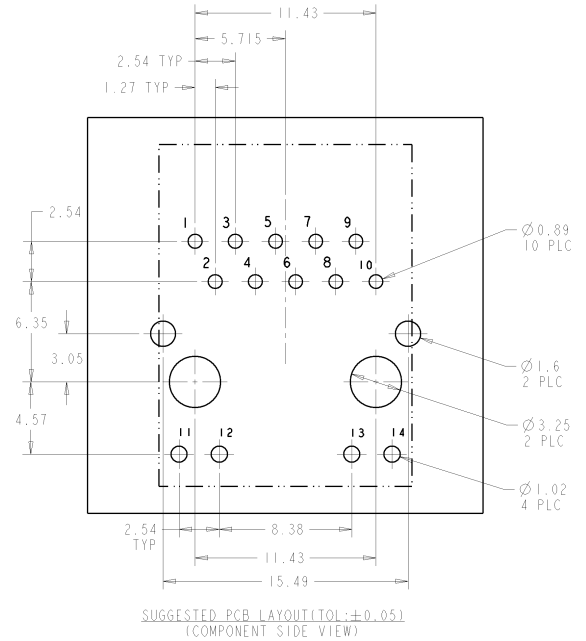
THIS DRAWING IS UNPUBLISHED. RELEASED FOR FABRICATION.
 (C) COPYRIGHT 2007, DATA BY TYCO ELECTRONICS CORPORATION. ALL RIGHTS RESERVED.

REV	DATE	DESCRIPTION	DATE	CHK	APP
00		SEE SHEET 1			

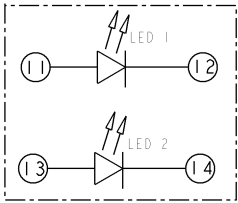
4G46PI GIGABIT CIRCUIT



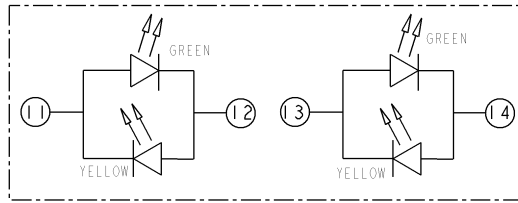
C2 - C5 = 0.1uF, 50V, CAPACITOR
 C1 = 1000pF, 2KV, CAPACITOR
 R1 - R4 = 75 ohms, RESISTOR



SINGLE COLOR LED



BI-COLOR LED



DIMENSIONS: ITEM 2. PLC 80.25 3. PLC 80.25 4. PLC 80.25 5. PLC 80.25 6. PLC 80.25 7. PLC 80.25 8. PLC 80.25 9. PLC 80.25 10. PLC 80.25 11. PLC 80.25 12. PLC 80.25 13. PLC 80.25 14. PLC 80.25 ANGLE FINISH		Dwg: TOMMY_BEN 18AUG2006 Ck: KEITH_ZHU DATE: 18AUG2006 PRODUCT: 108-2100 APPLICATION SPEC	Tyco Electronics Tyco Electronics Chongqing, China NAME: 1X1 MAG451TM) MODULAR JACK, VERTICAL TYPE, 4G46PI CIRCUIT, WITH LED SIZE: A2 CODE: 00779 DRAWING NO: 1840417 SCALE: 3:1 SHEET: 2 OF 2 REV: B
---	--	---	--