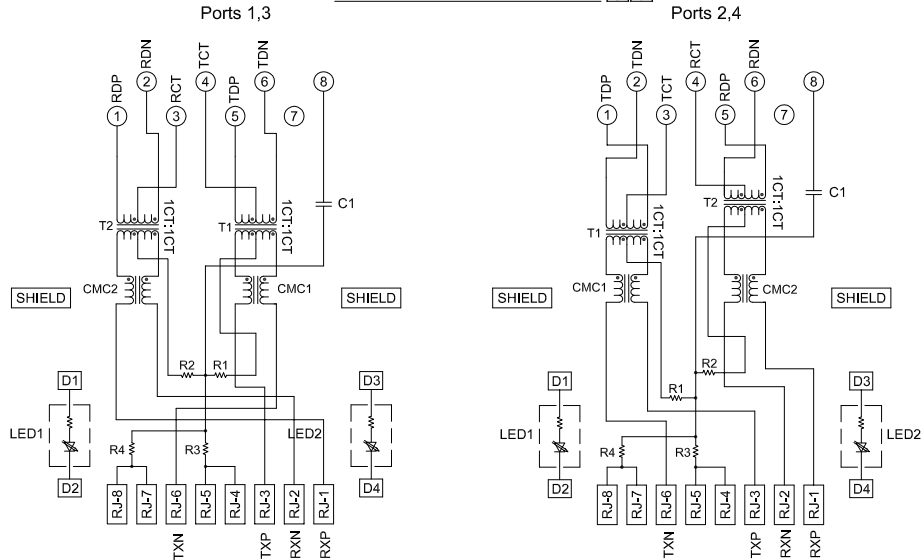


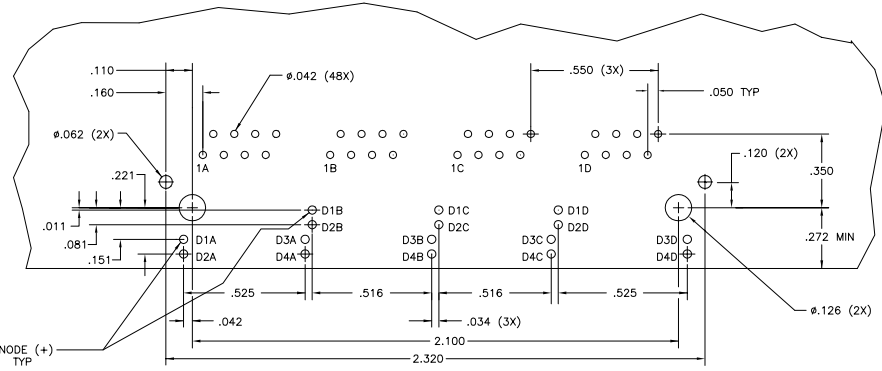
766K1 SERIES MAGNETIC CIRCUIT

REV	DESCRIPTION	DATE	BY	CHK
AA	22			
	SEE SHEET 1			

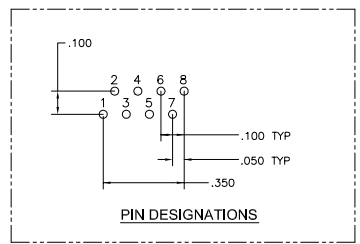


C1 = 1000pF, 2kV CAPACITOR
R1-R4 = 75 OHMS, 1/16 W RESISTORS

C1 = 1000pF, 2kV CAPACITOR
R1-R4 = 75 OHMS, 1/16 W RESISTORS



SUGGESTED PCB LAYOUT
(Component Side)



PIN DESIGNATIONS

THIS DRAWING IS A CONTROLLED DOCUMENT.		TE CONNECTIVITY	
REVISION	DATE	BY	CHK
AA	22		
DESCRIPTION		1X4 MAG45(TM) MODULAR JACK, 7X1 SCHEMATIC, 68 SERIES CIRCUIT, SHIELDED, RECOUPLING CAPACITOR, WITH LEADS	
REV	DATE	BY	CHK
CUSTOMER DRAWING		A1 00779 6610054	
		PAGE 4:1 SHEET 2 OF 2	