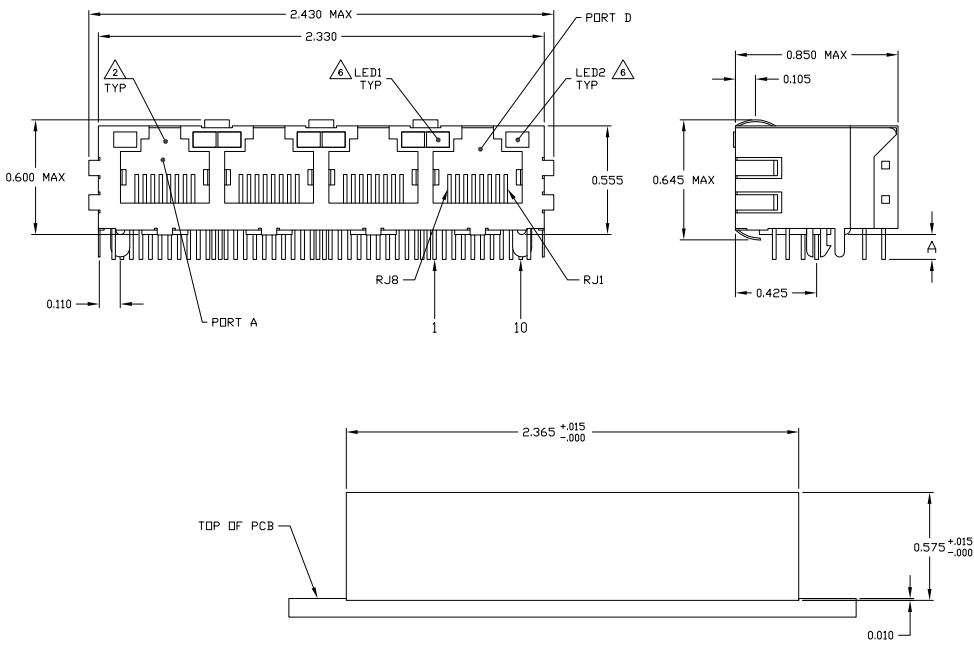
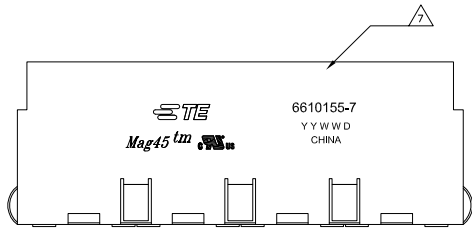


REV	DATE	DESCRIPTION	BY	CHK	APP
AA	22				
D	ECC-08-030703			21NOV2008	VL LR
E	ECC-11-013427			20MAR2011	EL LR

MECHANICAL:



1X4 SUGGESTED PANEL CUTOUT

- ⚠️ **MATERIALS:**
 - HOUSING - THERMOPLASTIC PET POLYESTER FLAMMABILITY RATING UL 94V-0.
 - SHIELD - 0.010" THICK, C26800 BRASS PREPLATED WITH 30μINCH MIN SEMI-BRIGHT NICKEL. SOLDER TABS POST DIPPED WITH 100μINCH MIN SAC SOLDER.
 - MOD JACK CONTACTS - 0.0157" X 0.018" PHOSPHOR BRONZE, 50μINCH MIN OVERALL NICKEL UNDERPLATE WITH SELECT 50μINCH MIN HARD GOLD FINISH PLATE. SOLDER TAILS WITH 100μINCH MIN MATTE TIN AND/OR SAC SOLDER DIP.
 - LIGHT EMITTING DIODE(LED) - DIFFUSED EPOXY LENS, 0.020" X 0.020" CARBON STEEL WIREFRAME LEADS PRE-PLATED WITH 80μINCH SILVER OVER 40μINCH NICKEL UNDERPLATE OVER 40μINCH COPPER UNDERPLATE. POST-PLATED WITH 100μIN MIN MATTE TIN AND/OR SAC SOLDER DIP OR PURE TIN SOLDER DIP.
- ⚠️ RJ45 JACK CAVITY CONFORMS TO FCC RULES AND REGULATIONS PART 68, SUB PART F.
- ⚠️ **MAGNETICS**
 - IMPEDANCE: 100 OHMS
 - TURNS RATIO (CHP. CABLE): 1:1 ALL FOUR PAIRS
 - OPEN CIRCUIT INDUCTANCE (OCL): 350μH MIN @100KHZ, 0.1VRMS, 8mADC BIAS FROM 0°C TO 70°C, ALL FOUR PAIRS
 - ALL FOUR PAIRS BI-DIRECTIONAL
 - PERFORMANCE @ 25°C:
 - INSERTION LOSS (IL): 1.1dB MAX FROM 0.5MHZ TO 100MHZ
 - RETURN LOSS (RL): 18dB MIN FROM 0.5MHZ TO 40MHZ
 - 12-20LOG(F/80)dB MIN FROM 4.01MHZ TO 100MHZ
 - CROSSTALK ATTENUATION: 35dB MIN FROM 0.5MHZ TO 40MHZ
 - 33-20*LOG(F/50)dB MIN FROM 4.01MHZ TO 100MHZ
 - COMMON MODE REJECTION RATIO (CMRR): 30dB MIN FROM 0.5MHZ TO 100MHZ
 - ISOLATION VOLTAGE: 2250VDC (MAX) FOR 60 SECONDS WITH A RISE TIME OF 500V/SEC AND WITH ALL PORTS CONNECTED.
- 4 OPERATING TEMPERATURE: FROM 0°C TO +70°C.
- ⚠️ INDICATED MAGNETIC CONNECTIONS ARE SYMMETRICAL TO SUPPORT AUTO-MDI/MDIX.
- ⚠️ **LEDS WITHOUT BUILT-IN RESISTOR**
 - LEDS ARE DRIVEN WITH CONSTANT CURRENT AT APPROX 20 mA
 - LED COLOR:
 - DOMINANT WAVELENGTH (λD): GREEN 568 nm TYP @ IF=20 mA
 - FORWARD VOLTAGE (VF): GREEN 2.2V TYP @ IF=20 mA
 - DOMINANT WAVELENGTH (λD): ORANGE 605 nm TYP @ IF=20 mA
 - FORWARD VOLTAGE (VF): ORANGE 2.1V TYP @ IF=20 mA
- ⚠️ **TE CONNECTIVITY LOGO, PART NUMBER, DATE CODE, COUNTRY OF ORIGIN AND AGENCY APPROVAL MARKING IN APPROXIMATE LOCATION SHOWN.**
- 8 THESE PARTS ARE RECOMMENDED FOR WAVE SOLDERING PROCESS, PREHEAT TEMPERATURE IS 120°C TO 160°C, 120 SECONDS TO 180 SECONDS, PEAK WAVE SOLDERING TEMPERATURE IS 260°C MAX, 10 SECONDS MAX.

0.160±0.010	GREEN	GREEN	1-6610155-5
0.145±0.010	GREEN	ORANGE	1-6610155-2
0.145±0.010	GREEN	GREEN	6610155-7

THIS DRAWING IS A CONTROLLED DOCUMENT. THE ATTACHED INFORMATION IS UNCLASSIFIED.

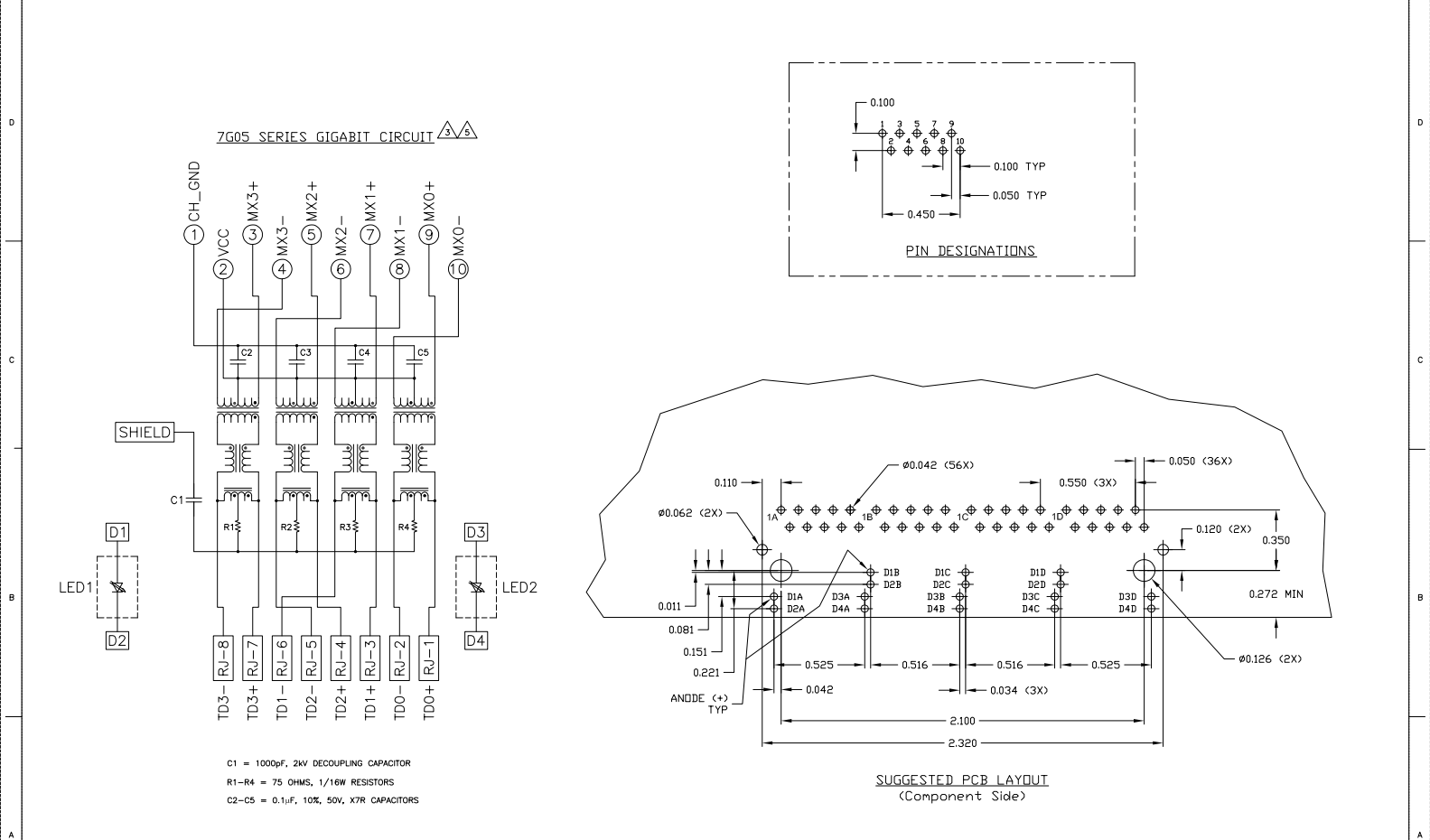
REV	DATE	DESCRIPTION	BY	CHK	APP
AA	22				

STMicroelectronics TE Connectivity

1X4 MAG45(TM) MODULAR JACK, 704 SCHEMATIC, (10 PIN HORZ), 7050 GSABT MAGNETIC CIRCUIT, SHIELDED, 52 PCB GROUND TABS, WITH LEADS

REV: 00779 (REV) 6610155

CUSTOMER DRAWING



THIS DRAWING IS A CONTROLLED DOCUMENT.		1X4 MAG45(TM) MODULAR JACK, 704 SCHEMATIC (10 PIN HORZ), 7500 GSABT MAGNETIC CIRCUIT, SHIELDED, S2 PCB GROUND TABS, WITH LEADS
DRAWING NO: 108-2100 REV: 1 DATE: 08/01/00	PART NO: 6610155 REV: 1 DATE: 08/01/00	CUSTOMER DRAWING SHEET 4 OF 2 OF 2