

4

3

2

1

THIS DRAWING IS UNPUBLISHED.

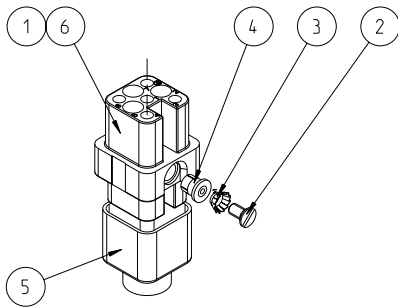
RELEASED FOR PUBLICATION

2006

COPYRIGHT 2006 Tyco Electronics AMP GmbH

ALL RIGHTS RESERVED.

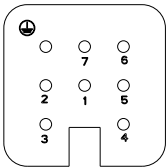
LOC	DIST	REVISIONS					
		P	LTR	DESCRIPTION	DATE	DRN	APVD
A1	-	B5		ECR-11-013895	29 JUN 2011	SR	BR
		B6		ECR-11-017365	19 AUG 2011	SR	BR



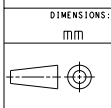
Notes

- 1 SUITABLE CRIMP CONTACTS:
-SERIES TYPE III+; CUSTOMER DRAWING: 163083
-SERIES C12; CUSTOMER DRAWING: 927890
-SERIES HD.M; CUSTOMER DRAWING: 1105001
-WIRE INSULATION: MAX. Ø4.2 MM
-DIMENSIONS: (OVER ALL) 21x21x32mm
- 2 SUITABLE INSERTION TOOL:
CUSTOMER DRAWING: 1102855-1
- 3 SUITABLE EXTRACTION TOOL:
CUSTOMER DRAWING: 1102855-6
- 4 STANDARDS:
DIN EN 61984, DIN EN 60664-1
- 5 AUTHORIZATION; UL: UL-FILE NR.: E101788(R)
- 6 PACKAGING:
PN 2-3 10 SETS IN A CARTON, PRE-MOUNTED
PN 2-4 500 SETS IN A CARTON, PRE-MOUNTED

1		FEMALE INSERT	PA66-GF25	LIGHT GREY	6	SERIES HD7, 8-POS., TYPE III+, SIZE1
	1	INSULATION COVER	NBR65	BLACK	5	SERIES HD7
	1	SCREW THREAD INSERT	BRASS		4	M3x5.5, AFTERMOULD
	1	WASHER, SERRATED LOCK	STAINL. STEEL		3	V3.4, DIN 6798 JULY 1988
	1	SCREW, SLOTTED COUNTERSUNK FLAT HEAD	STAINL. STEEL		2	M3x6 DIN EN ISO 2009
	1	FEMALE INSERT	PC-GF20	LIGHT GREY	1	SERIES HD7, 8-POS., TYPE III+, SIZE1
2-4	2-3	DESCRIPTION	MATERIAL	COLOR	ITEM	NOTES
		HD.7.BU.C.250V				
		HD.7.BU.C.La.250V				

CONTACT ARRANGEMENT
VIEW FROM TERMINATION SIDE

THIS DRAWING IS A CONTROLLED DOCUMENT.



DIMENSIONS:

mm

TOLERANCES UNLESS OTHERWISE SPECIFIED:

0 PLC	±
1 PLC	±
2 PLC	±
3 PLC	±
4 PLC	±
ANGLES	±0°

MATERIAL

-

FINISH

-

DWN 09APR2002

R.SCHNEIDER

CHK 09APR2002

M.SCHWEIGER

APVD 09APR2002

T.SCHNURPFIL

PRODUCT SPEC

108-74002

APPLICATION SPEC

WEIGHT

-

CUSTOMER DRAWING



TE Connectivity

NAME
FEMALE INSERT ASSY
SERIES HD.7

SIZE

A3

CAGE CODE

00779

DRAWING NO

C=1103001

RESTRICTED TO

-

SCALE 2:1

SHEET 1 of 1

REV B6

1470-19 (3/11)

Pro/ENGINEER DRAWING