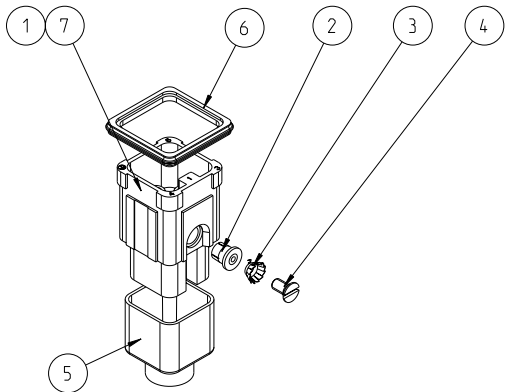


THIS DRAWING IS UNPUBLISHED. RELEASED FOR PUBLICATION 2009
 © COPYRIGHT 2009 Tyco Electronics AMP GmbH ALL RIGHTS RESERVED.

LOC	DIST	REVISIONS					
		P	LTR	DESCRIPTION	DATE	DNW	APVD
A1	-	B3		ECR-10-023377	12NOV2009	SR	TV
		B4		ECR-11-013895	29JUN2011	SR	BR
		B5		ECR-11-017365	19AUG2011	SR	BR

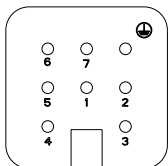
Notes

- 1 SUITABLE CRIMP CONTACTS:
 -SERIES TYPE III+; CUSTOMER DRAWING: 164161
 -SERIES C12; CUSTOMER DRAWING: 927888
 -SERIES HD.M; CUSTOMER DRAWING: 1105000
 -WIRE INSULATION: MAX. Ø4.2 MM
 -DIMENSIONS: (OVER ALL) 24x24x34mm
- 2 SUITABLE INSERTION TOOL:
 CUSTOMER DRAWING: 1102855-1
- 3 SUITABLE EXTRACTION TOOL:
 CUSTOMER DRAWING: 1102855-6
- 4 STANDARDS:
 DIN EN 61984, DIN EN 60664-1
- △ AUTHORIZATION; UL: UL-FILE NR.: E101788(R)
- 6 PACKAGING:
 PN 2-3 10 SETS IN A CARTON, PRE-MOUNTED
 PN 2-4 500 SETS IN A CARTON, PRE-MOUNTED

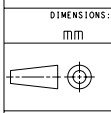


QTY	DESCRIPTION	MATERIAL	COLOR	NOTES	ITEM
1	INSTRUCTION LEAFLET				8
1	MALE INSERT	PA66-GF25	LIGHT GREY	SERIES HD7, 8-POS. , TYPE III+, SIZE1	7
1	PROFILE SEAL	NBR 55	BLACK	SERIES HA/HG-Q, SIZE1	6
1	INSULATION COVER	NBR 65	BLACK	SERIES HD7	5
1	SCREW THREAD INSERT	BRASS		M3x5.5, AFTERMOULD	4
1	WASHER, SERRATED LOCK	STAINL. STEEL		V3.4, DIN 6798 JULY 1988	3
1	SCREW, SLOTTED COUNTERSUNK FLAT HEAD	STAINL. STEEL		M3x6 DIN EN ISO 2009	2
1	MALE INSERT	PC-GF20	LIGHT GREY	SERIES HD7, 8-POS. , TYPE III+, SIZE1	1
2-4	DESCRIPTION	MATERIAL	COLOR	NOTES	ITEM
	HD.7.STI.C/250V				
	HD.7.STI.C.La.250V				

CONTACT ARRANGEMENT
 VIEW FROM TERMINATION SIDE



THIS DRAWING IS A CONTROLLED DOCUMENT.



TOLERANCES UNLESS OTHERWISE SPECIFIED:
 0 PLC ±0.1
 1 PLC ±0.1
 2 PLC ±0.1
 3 PLC ±0.1
 4 PLC ±0.1
 ANGLES ±0.5°
 FINISH -

OWN 09APR2002
 SCHNEIDER
 CHK 09APR2002
 SCHWEIGER
 APVD 09APR2002
 T.SCHNURPFIL
 PRODUCT SPEC 108-74002
 APPLICATION SPEC -
 WEIGHT -
 CUSTOMER DRAWING



NAME MALE INSERT ASSY
 SERIES HD.7

SIZE A3 CAGE CODE 00779 DRAWING NO C-1103000

RESTRICTED TO -

SCALE 1:1 SHEET 1 OF 1 REV B5