

4

3

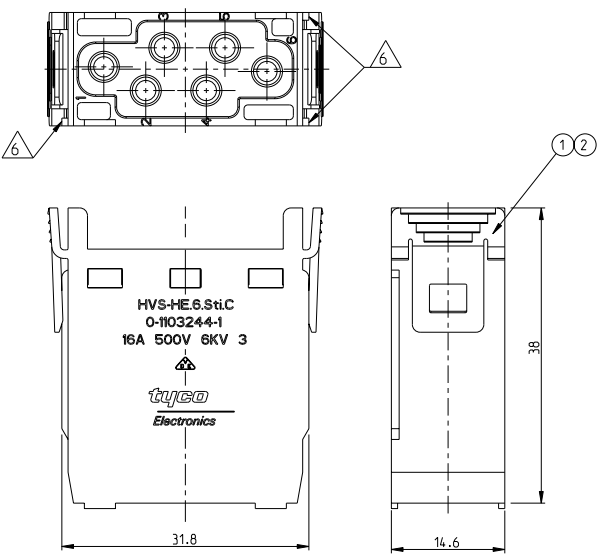
2

1

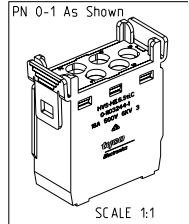
THIS DRAWING IS UNPUBLISHED. RELEASED FOR PUBLICATION 1997
 © COPYRIGHT 1997 BY TYCO ELECTRONICS CORPORATION. ALL RIGHTS RESERVED.

LOC	DIST	REVISIONS			
P	LTR	DESCRIPTION	DATE	DWN	APVD
B1		ECR-10-020122	22SEP2010	SR	OH

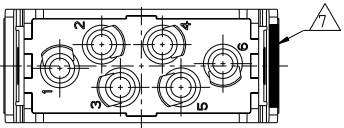
Contact arrangement
view from connecting side
PN 0-1 As Shown



- NOTES
- SUITABLE CRIMP CONTACTS: SERIES HE
CUSTOMER DRAWING: 1105100
OUTER DIMENSIONS OF INSULATION: MAX. Ø4.9mm
 - SUITABLE MODULE FIXING FRAME: SERIES HVS SIZE 3 TO 8
CUSTOMER DRAWING: 1103250
 - SUITABLE INSERTION TOOL:
CUSTOMER DRAWING: 0-1102855-6
 - SUITABLE EXTRACTION TOOL:
CUSTOMER DRAWING: 0-1102855-7
 - STANDARDS:
DIN EN 61984; DIN EN 60664-1
 - POLARIZATION RIBS
 - MARKING OF POLARIZATION ACCORDING TO MARKING OF MODULE FRAME
 - PACKAGING:
10 SETS IN A CARTON. PRE-MOUNTED



Contact arrangement
view from termination side



QTY	DESCRIPTION	MATERIAL	COLOR	NOTE	ITEM
1	MALE INSERT HVS-HE.6	PC-GF20	LIGHT GREY		2
1	COVER MALE INSERT HVS-HE.6	PC-GF20	LIGHT GREY		1

THIS DRAWING IS A CONTROLLED DOCUMENT FOR TYCO ELECTRONICS CORPORATION
IT IS SUBJECT TO CHANGE AND THE CONTROLLING ENGINEERING ORGANIZATION
SHOULD BE CONTACTED FOR THE LATEST REVISION.

DIMENSIONS:	TOLERANCES UNLESS OTHERWISE SPECIFIED:
mm	0.25mm ±
	0.50mm ±
	1.00mm ±
	2.00mm ±
	3.00mm ±
	4.00mm ±
	ANGLES
	±

HVS-HE.6.Sti.C

OWN 24.05.2005
M.SCHWEIGER
CHK 27.05.2005
T.SCHNURPFIL
APVD 20.12.2006
T.SCHNURPFIL

NAME Tyco Electronics
Tyco Electronics AMP GmbH
53757 Sankt Augustin, Germany

PRODUCT SPEC MALE INSERT
HVS-HE.6.STI.C

APPLICATION SPEC

SIZE A3 CAGE CODE 00779 DRAWING NO C-1103244 RESTRICTED TO

WEIGHT

CUSTOMER DRAWING SCALE 2:1 SHEET 1 OF 1 REV B1

AMP 1470-19 REV 31MAR2000

Pro/ENGINEER DRAWING