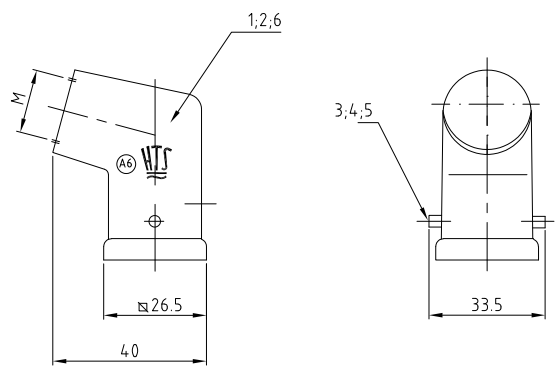


THIS DRAWING IS UNPUBLISHED. VERTRAULICHE UNVERÖFFENTLICHTE ZEICHNUNG. RELEASED FOR PUBLICATION. FREI FÜR VERÖFFENTLICHUNG. .1997. MATED WITH. PASSEND ZU. Bg1. LOC. Al. DIST. -.

REVISIONS		DATE	DWN	APVD
ÄNDERUNGEN				
DESCRIPTION	BESCHREIBUNG			
	HTS logo added ECR-08-020232	11.08.08	SR	AR



Obsolete

- Notes
- △ Material: zink diecast
  - △ Surface: hammer scales varnish or powder coated corrosion protection
  - 3 Varnish on the inside not necessarily
  - △ Special packing
  - Packaging quantity 200 pieces
  - △ Packaging quantity 10 pieces

QTY	DESCRIPTION	MATERIAL	SURFACE	COLOR	ITEM NO. POS.	REMARKS
1	HA3/hood	zinc diecast		black	6	
2	clip bolt	steel	zinc plated	blue	5	
2	clip bolt	stainless steel			4	
2	clip bolt	steel	zinc plated	blue	3	
	HA3/hood	zinc diecast		black	2	
1	HA3/hood	zinc diecast		grey	1	

ORDERING TEXT / BESTELLTTEXT	<small>THIS DRAWING IS A CONTROLLED DOCUMENT FOR AMP INCORPORATED. IT IS SUBJECT TO CHANGE AND THE CONTROLLING ENGINEERING ORGANIZATION SHOULD BE CONTACTED FOR THE LATEST REVISION. DIESE ZEICHNUNGSDOKUMENT UND DAZU AMP INCORPORATED KONTROLLIERT. ÄNDERUNGEN, DIE DEN TECHNISCHEN FORTSCHRITT GEMÄß, SIND VORBEHALTEN. ZUM AUSLIEFERN SOLLTEN ÄNDERUNGSSTÄNDIG FRÄNKER BEI AMP ANFANGEN.</small>		DWN 15.08.01 SCHneider CHK 15.08.01	HTS Elektrotechnik 53819 Neunkirchen, Germany
	DIMENSIONS: DIMENSIONEN: mm 	TOLERANCES UNLESS OTHERWISE SPECIFIED: ALL GEMEINTOLERANZEN h, ISO 8013 H, ISO 2768 - mH - E f, DIN 16 901 - 1G 0 0 PLC = - 1 PLC = -0.1 2 PLC = -0.2 3 PLC = -0.3 ANGLES / WINKEL: ° FINISH / OBERFLÄCHE / FARBE	APVD - PRODUCT SPEC 108-74.000 APPLICATION SPEC 114-74.002 WEIGHT - CUSTOMER DRAWING	NAME: Hood HA.3.Stw.1.M Steckergehäuse HA.3.Stw.1.M SIZE: A3 CAGE CODE: 00779 DRAWING NO: 11064.06 ZEICHNUNGS-NR: 11064.06