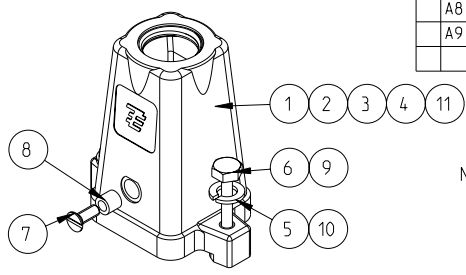
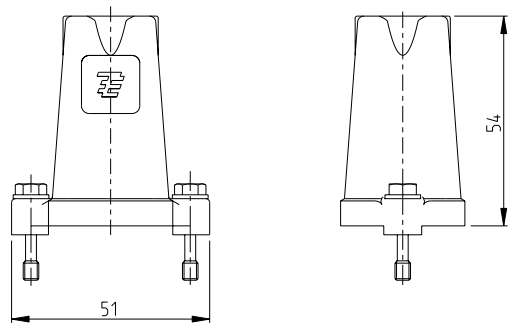


THIS DRAWING IS UNPUBLISHED. RELEASED FOR PUBLICATION 2009
 © COPYRIGHT 2009 BY TYCO ELECTRONICS CORPORATION. ALL RIGHTS RESERVED.

LOC	DIST	REVISIONS				
P	LTR	DESCRIPTION	DATE	DNW	APVD	
A7		ECR-09-023155	22OCT2009	VG	AR	
A8		ECR-10-000686	12JAN2010	SR	AR	
A9		ECR-10-009092	28APR2010	RO	BR	

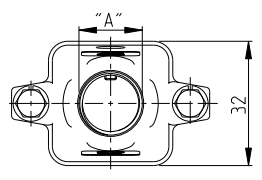


PN 0-1 AS SHOWN

PART NO.	ORDERING TEXT
0-1106402-7	EMV-K.3/4.ST-N
0-1106402-6	EMV-K.3/4.STO.1.M20.G
0-1106402-5	EMV-K.3/4.STO.1.M16.G
0-1106402-4	EMV.3/4.STO.1.M16.G
0-1106402-3	EMV-K.3/4.STO.1.M20.G
0-1106402-2	EMV.3/4.STO.1.M16.G
0-1106402-1	EMV-K.3/4.STO.1.M16.G

Notes

- SUITABLE HOUSINGS: SERIES EMV, SIZE 1
CUSTOMER DRAWING 1102703; 1102702
- STANDARDS: DIN EN 61984, DIN EN 60664-1
- SURFACE: CHROMIT AL TCP PASSIVATION
- TOOLS: SLOTTED SCREW DRIVER 4.0x0.8
HEXAGON SCREW DRIVER 7mm
- VARNISH ON INSIDE AREA NOT NECESSARY
- PACKAGING:
10 SETS IN A CARTON, PRE-MOUNTED



1	-	-	-	-	-	-	CONNECTOR HOUSING	ALU ALLOY	BLACK	SERIES EMV-K.3/4.ST-N, SIZE 1, METRIC, W/O THREAD & LOGO	11		
-	2	2	2	-	-	-	WASHER, PLAIN	STAINL. STEEL	BLANK	A4, DIN EN ISO 7089, 200HV (V4A)	10		
-	2	2	2	-	-	-	SCREW, HEXAGON BOLT	STAINL. STEEL	BLANK	M4x22 DIN EN ISO 7964, REDUCED SHUNK (V4A)	9		
1	1	1	1	1	1	1	HOSE SECTION	FKM	BLACK	SERIES EMV / HIP, Ø3x1x4.5	8		
1	1	1	1	1	1	1	SCREW, SLOTTED COUNTERS. FLAT HEAD	STAINL. STEEL	BLANK	M3x8 DIN EN ISO 2009	7		
2	-	-	-	2	2	2	SCREW, HEXAGON BOLT	STAINL. STEEL	BLANK	M4x22 DIN EN ISO 7964, REDUCED SHUNK	6		
2	-	-	-	2	2	2	WASHER, PLAIN	STAINL. STEEL	BLANK	A4, DIN EN ISO 7089, 200HV	5		
-	1	-	-	-	-	-	CONNECTOR HOUSING	M20 ALU ALLOY	WHITE	SERIES EMV-K, SIZE 1, METRIC	4		
-	-	-	-	1	-	-	CONNECTOR HOUSING	M20 ALU ALLOY	BLACK	SERIES EMV-K, SIZE 1, METRIC	3		
-	-	1	-	-	1	-	CONNECTOR HOUSING	M16 ALU ALLOY	BLACK	SERIES EMV-K, SIZE 1, METRIC	2		
-	-	-	1	-	-	1	CONNECTOR HOUSING	M16 ALU ALLOY	GREY	SERIES EMV, SIZE 1, METRIC	1		
0-7	0-6	0-5	0-4	0-3	0-2	0-1	PN/QTY	DESCRIPTION	"A"	MATERIAL	COLOR/SURFACE	NOTE	ITEM

PARTS LIST (PER ONE UNIT)

DIMENSIONS: mm 		TOLERANCES UNLESS OTHERWISE SPECIFIED: 0 PLC ± 1 PLC ± 2 PLC ± 3 PLC ± 4 PLC ± ANGLES ±°		DOWN V.GLUMM 14AUG2009 CHK H.Braun 14AUG2009 APVD T.Schnurpfel 14AUG2009		Tyco Electronics Tyco Electronics AMP GmbH 53757 Sankt Augustin (Germany)	
MATERIAL - FINISH -		APPLICATION SPEC -		PRODUCT SPEC -		NAME CONNECTOR HOUSING ASS'Y, TOP ENTRY SERIES EMV, SIZE 1, METRIC	
WEIGHT -		SIZE A3		CAGE CODE 00779		DRAWING NO C=1106402	
CUSTOMER DRAWING		SCALE 1:1		SHEET 1 of 1		REV A9	