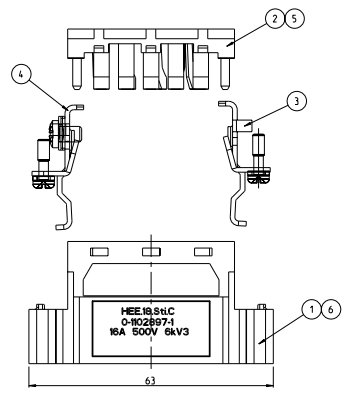
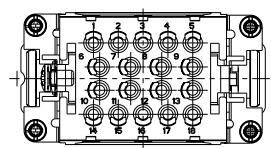


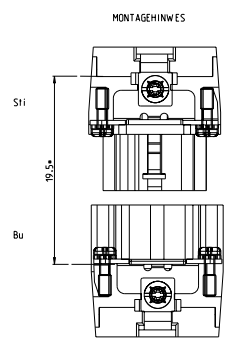
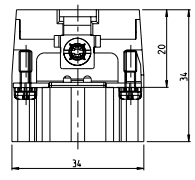
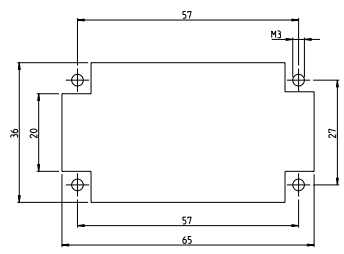
REV	DATE	DESCRIPTION	BY	CHK	APP
B3	EEC-11-01193				



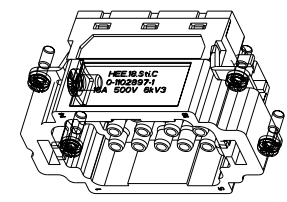
CONTACT ARRANGEMENT VIEW FROM TERMINATION SIDE
 PN 0-1; PN 0-2



PANEL CUT-OUT FOR CONTACT INSERT
 WHEN USED WITHOUT HOUSING



- NOTES
- △ MATERIAL. INSERT LCP-GF
 - △ MATERIAL. INSERT PC-GF20
 - △ MATERIAL. COVER PC-GF20
 - △ PACKAGING: 10 PIECES



OBSOLETE

QTY	DESCRIPTION	MATERIAL	SURFACE	COLOR	ITEM
1	MALE INSERT HEE-1B-FS	LCP-GF30	BLUE	NATURE	6
1	COVER HEE-1B-FS	LCP-GF30	BLUE	NATURE	5
1	PROTECTION WIRE CONTACT PIN WITH MOUNTING				4
1	PROTECTION WIRE CONTACT PIN				3
1	COVER HEE-1B	PC GF20	GREY	LIGHT GREY	2
1	MALE INSERT HEE-1B	PC GF20	GREY	LIGHT GREY	1
0-2	DESCRIPTION	MATERIAL	SURFACE	COLOR	ITEM
	HEE-1B-SH-C BT-1B				

THIS DRAWING IS A CONTROLLED DOCUMENT. SCHEMATIC: HEE20000
 DATE: 11/01/2011
 DRAWN BY: M3
 CHECKED BY: M3
 APPROVED BY: M3
 MATERIAL: M3
 PART: M3
 CUSTOMER DRAWING: M3

TE Connectivity
 MALE INSERT ASSY
 HEE-1B
 STATE: CA
 CITY: SAN JOSE
 ZIP: 95128
 PHONE: 408-735-6000
 FAX: 408-735-6001
 EMAIL: sales@te-connectivity.com
 WWW: www.te-connectivity.com

DATE: 11/01/2011
 DRAWN BY: M3
 CHECKED BY: M3
 APPROVED BY: M3
 MATERIAL: M3
 PART: M3
 CUSTOMER DRAWING: M3