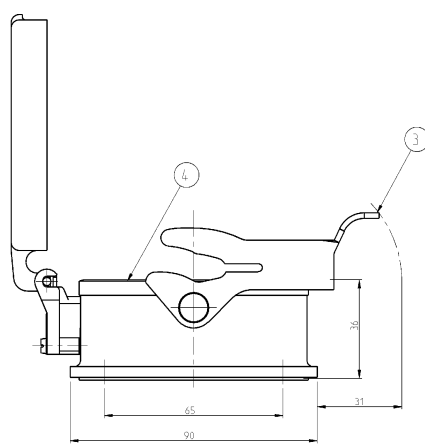
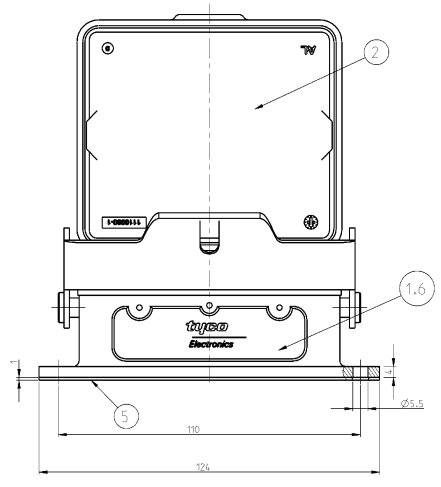
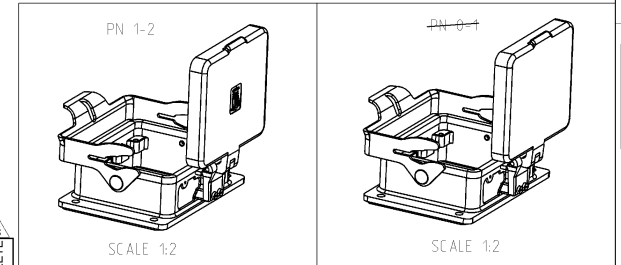
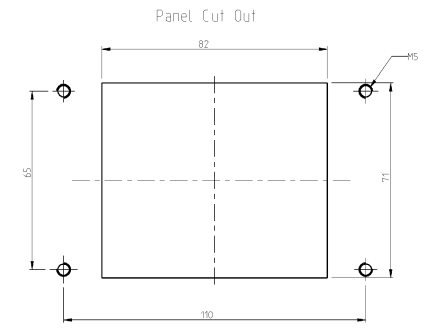


LOC	DIST	REV	DESCRIPTION	DATE	BY	APPD
A1	-	F	LTA			
A2			Released as per ECR-07-010741	02-MAY-09	SK	TS
A3			REVISED PER ECO-09-027197	19-JAN-10	KK	HMR



- NOTES
- △ Varnish on the inside not necessarily
 - △ neutral execution with out HTS - Logo
 - △ Packaging : 3 pieces in a box
 - △ **6. OBSOLETE PARTS: OBSOLETE CIS STREAMLINING PER D.RENAUD/D.SINISI**



OBSOLETE

QTY	DESCRIPTION	MATERIAL	SURFACE	COLOUR	ITEM NO	REMARK
1	Mounting housing HA.48	Aluminium		Grey	6	
1	Flange seal	Neoprene		Black	4	
1	Profile seal	Neoprene		Black	4	
1	Side clip	Steel	Zincplated	Blue	3	
1	Cover	Aluminium		Grey	2	
1	Mounting housing HA.48	Aluminium		Grey	1	

HA.48.AGD-LB

DATE	11.10.02	BY	Stammlinger	NAME	Tyco Electronics, AMP GmbH
CHK	11.10.02	CHK	Schweilger	ADDRESS	D-53819, Neunkirchen, Germany
DIMENSIONS	mm		PRODUCT SPEC	Surface mounted housing bottom entry HA.48.AGD-LB	
MATERIAL	FINISH	WEIGHT	SIZE	CAGE CODE	RESTRICTED TO
			A2	00779	

CUSTOMER DRAWING SCALE 1:1 SHEET 1 OF 1 REV A3