

4

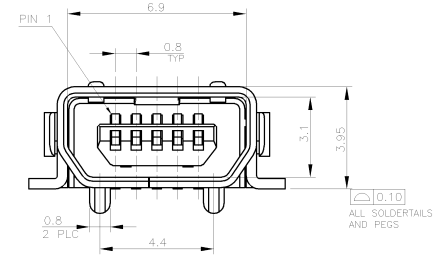
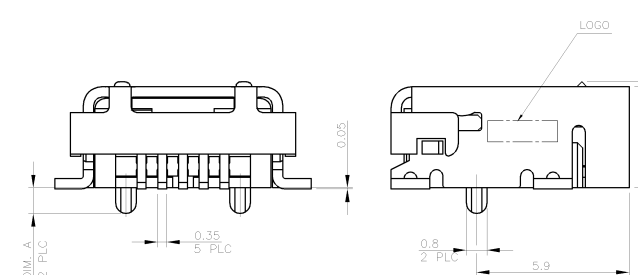
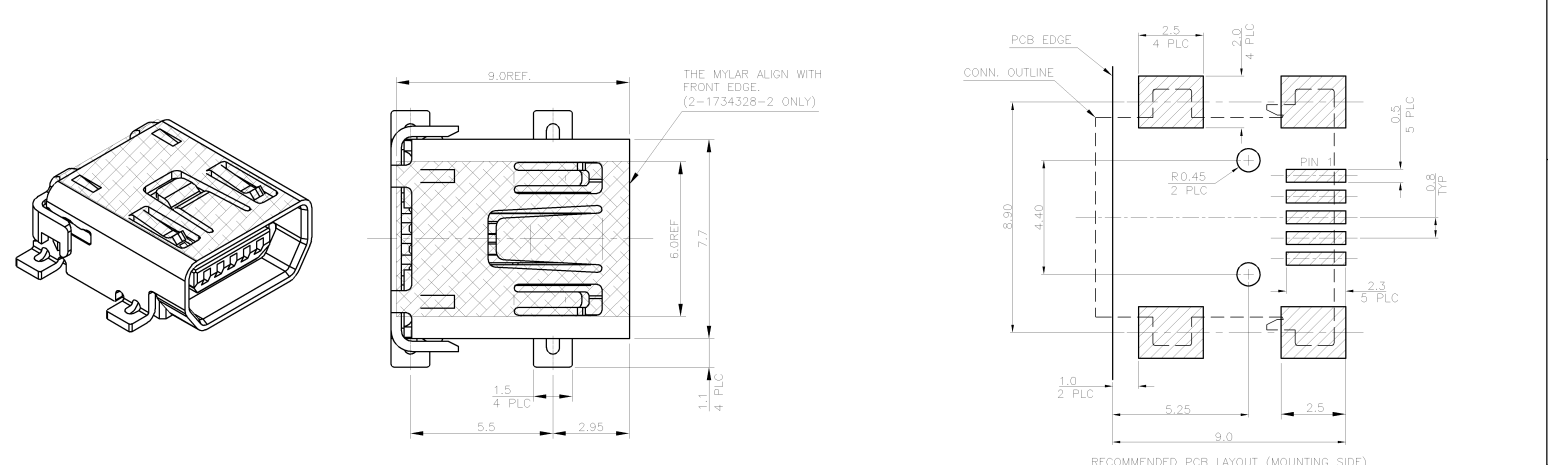
3

2

1

THIS DRAWING IS UNPUBLISHED. RELEASED FOR PUBLICATION AUG. 2006.
 © COPYRIGHT 2009 BY TYCO ELECTRONICS CORPORATION. ALL RIGHTS RESERVED.

LOC	DIST	REVISIONS				
P	LTR	DESCRIPTION	DATE	DWN	APVD	
C		REVISED. (ECO-11-013077)	23JUN11	JC	WK	



W/O	1.0	REEL	2-1734328-2
W/O	0.6	REEL	1-1734328-2
W/O	0.6	TRAY	1-1734328-1
W/O	1.0	REEL	1734328-2
W/O	1.0	TRAY	1734328-1
MYLAR	DIM.A	PACKAGE	PART NUMBER

NOTE:
 1. MATERIAL:
 HOUSING: PA9T W/ 33% GF, UL 94V-0, COLOR: BLACK.
 CONTACT: PHOSPHOR BRONZE, THICKNESS:0.25±0.05mm.
 SHELL: PHOSPHOR BRONZE, THICKNESS:0.40±0.05mm.
 MYLAR: POLYESTER FILM.
 2. FINISH:
 CONTACTS: GOLD FLASH OVER
 0.762µm [30µ"] MIN. PALLADIUM-NICKEL PLATED ON CONTACT AREA,
 2.54µm [100µ"] MIN MATTE-TIN PLATED ON SOLDER TAILS,
 1.27µm [50µ"] MIN. NICKEL UNDERPLATED ALL OVER.
 SHELL : 2.032µm [80µ"] MIN. NICKEL PLATED ALL OVER.
 3. REFLOW SOLDER CAPABLE TO 260°C PER TE SPEC
 109-201 CONDITION B.

THIS DRAWING IS A CONTROLLED DOCUMENT.		DWN F. YANG 13JUL2009
		CHK S. CHIEN 13JUL2009
		APVD W. KODAMA 13JUL2009
DIMENSIONS:		NAME
MM	TOLERANCES UNLESS OTHERWISE SPECIFIED:	PRODUCT SPEC 108-57062
	0 PLC ± -	APPLICATION SPEC
	1 PLC ± 0.3	WEIGHT 0.76 GRAMS
	2 PLC ± 0.2	CUSTOMER DRAWING
	3 PLC ± 0.15	
	4 PLC ± -	
	ANGLES ± 3°	
MATERIAL SEE NOTE	FINISH SEE NOTE	

		NAME	
		MINI USB CONNECTOR, TYPE AB, RCPT, R/A, SMT TYPE	
SIZE	CAGE CODE	DRAWING NO	RESTRICTED TO
A3	00779	1734328	-
SCALE	SHEET	1 OF 3	REV C

4

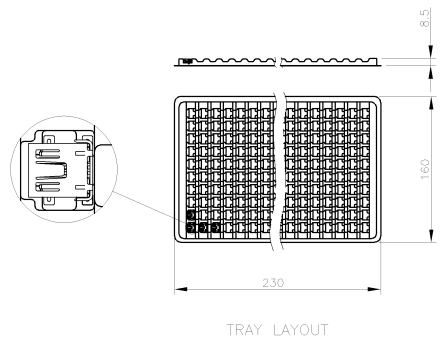
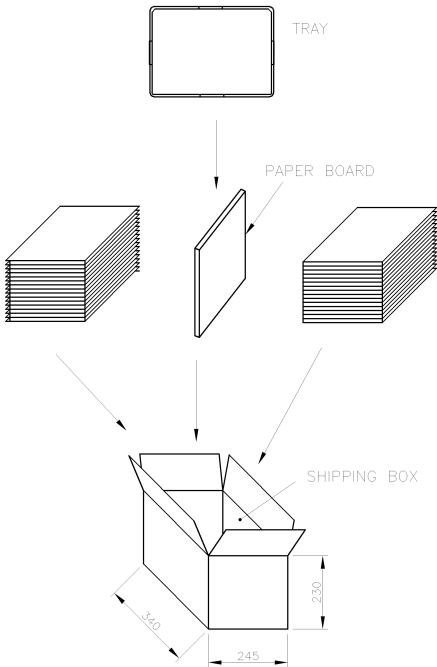
3

2

1

THIS DRAWING IS UNPUBLISHED. RELEASED FOR PUBLICATION AUG. 2006.
 © COPYRIGHT 2009 BY TYCO ELECTRONICS CORPORATION. ALL RIGHTS RESERVED.

LOC		DIST		REVISIONS				
P	LTR	DESCRIPTION			DATE	DWN	APVD	
SEE SHEET 1.								



150	56	8400	9.2	6.7	1-1734328-1
PCS/TRAY	TRAYS/BOX	QUANTITY	G/W (Kg)	N/W (Kg)	PART NUMBER
					1734328-1

THIS DRAWING IS A CONTROLLED DOCUMENT.		DWN	TE Connectivity		
DIMENSIONS: MM		CHK			
TOLERANCES UNLESS OTHERWISE SPECIFIED: 0 PLC ± - 1 PLC ± - 2 PLC ± - 3 PLC ± - 4 PLC ± - ANGLES ± -		APVD	PRODUCT SPEC		
MATERIAL			APPLICATION SPEC		
FINISH		WEIGHT	SIZE CAGE CODE DRAWING NO		
			A3 00779 C-1734328		
		CUSTOMER DRAWING	SCALE	SHEET 2 of 3	REV C

AMP 1470-19 REV 31MAR2000

4

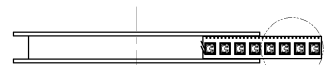
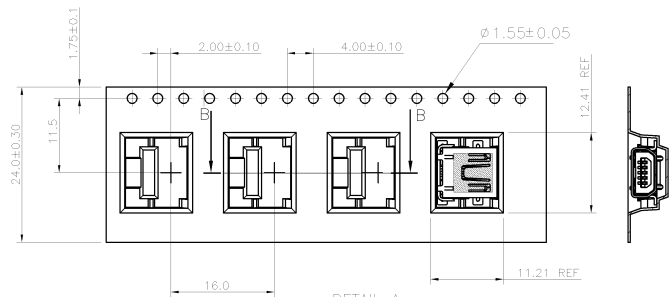
3

2

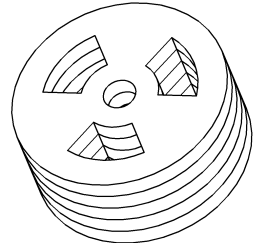
1

THIS DRAWING IS UNPUBLISHED. RELEASED FOR PUBLICATION AUG. 2006.
 © COPYRIGHT 2009 BY TYCO ELECTRONICS CORPORATION. ALL RIGHTS RESERVED.

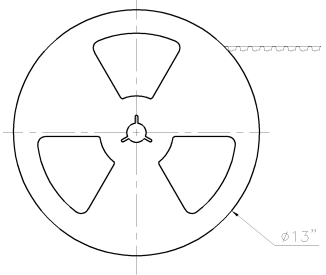
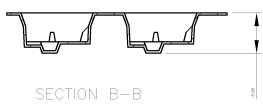
LOC		DIST		REVISIONS				
P	LTR	DESCRIPTION	DATE	DWN	APVD			
SEE SHEET 1.								



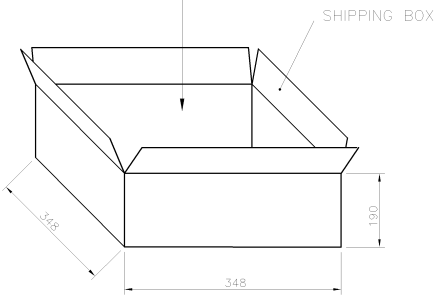
DETAIL A



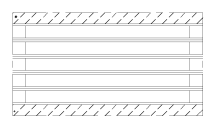
DETAIL A



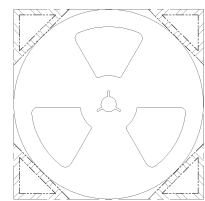
13"



SHIPPING BOX



PACKING BOX



700	5	3500	6.5	5.5	2-1734328-2
					1-1734328-2
					1734328-2
PCS/REEL	REELS/BOX	QUANTITY	G/W (Kg)	N/W (Kg)	PART NUMBER

THIS DRAWING IS A CONTROLLED DOCUMENT.		DWN	CHK	APVD																								
DIMENSIONS: MM		PRODUCT SPEC																										
<table border="1"> <tr><td>0</td><td>PLC</td><td>±</td><td>-</td></tr> <tr><td>1</td><td>PLC</td><td>±</td><td>-</td></tr> <tr><td>2</td><td>PLC</td><td>±</td><td>-</td></tr> <tr><td>3</td><td>PLC</td><td>±</td><td>-</td></tr> <tr><td>4</td><td>PLC</td><td>±</td><td>-</td></tr> <tr><td colspan="2">ANGLES</td><td>±</td><td>-</td></tr> </table>		0	PLC	±	-	1	PLC	±	-	2	PLC	±	-	3	PLC	±	-	4	PLC	±	-	ANGLES		±	-	APPLICATION SPEC		
0	PLC	±	-																									
1	PLC	±	-																									
2	PLC	±	-																									
3	PLC	±	-																									
4	PLC	±	-																									
ANGLES		±	-																									
MATERIAL		WEIGHT																										
FINISH		CUSTOMER DRAWING																										

STE TE Connectivity			
NAME			
MINI USB CONNECTOR, TYPE AB, RCPT, R/A, SMT TYPE			
SIZE	CAGE CODE	DRAWING NO	RESTRICTED TO
A3	00779	1734328	
SCALE		SHEET	REV
		3 of 3	C