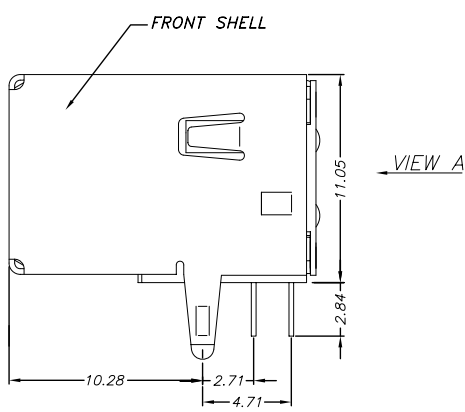
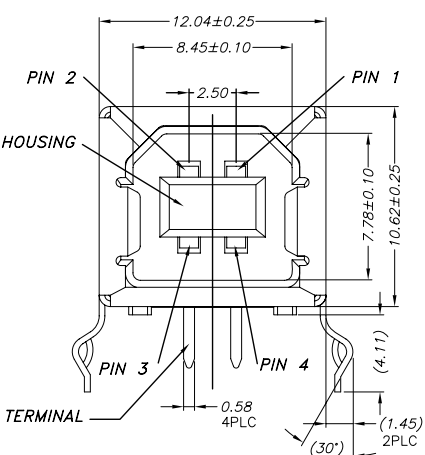
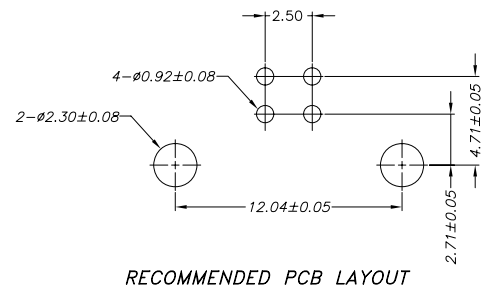
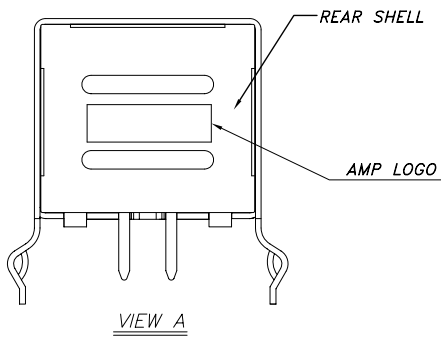
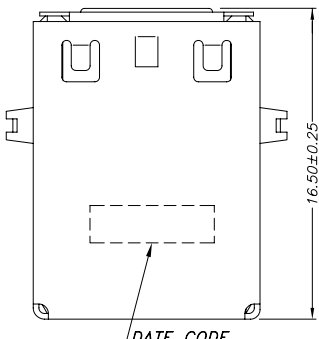


THIS DRAWING IS UNPUBLISHED. RELEASED FOR PUBLICATION  
 © COPYRIGHT 2011 BY TYCO ELECTRONICS CORPORATION. ALL RIGHTS RESERVED.

LOC	DIST	REVISIONS			
P	LTR	DESCRIPTION	DATE	DWN	APVD
P1		REVISED (ECR-11-011518)	02JUN11	SC	WK



- NOTES :
- MATERIAL :  
 HOUSING : PBT WITH 30% G.F, 94V-0, COLOR: SEE TABLE.  
 CONTACT : PHOSPHOR BRONZE, (t=0.25mm).  
 FRONT SHELL : BRASS, (t=0.30mm).  
 REAR SHELL : SPCC (t=0.30mm).
  - FINISH :  
 CONTACT : GOLD PLATED(SEE TABLE) ON CONTACT AREA, 100u" MIN. TIN PLATED ON SOLDERTAILS, 50u" MIN. NICKEL UNDERPLATED ALL OVER.  
 FRONT SHELL : 40u" MIN. NICKEL PLATED OVER 50u" MIN. CU UNDERPLATED ALL OVER.  
 REAR SHELL : 100u" MIN. NICKEL PLATED OVER 100u" MIN. CU UNDERPLATED ALL OVER.

MIN. GOLD THICKNESS	HSG. COLOR	PART NUMBER
30µ"	BLACK	1734176-6
	BEIGE	1734176-5
5µ"	BLACK	1734176-4
5µ"	BEIGE	1734176-3
2µ"	BLACK	1734176-2
	BEIGE	1734176-1

THIS DRAWING IS A CONTROLLED DOCUMENT.

DWN	O. HU	10AUG2007		TE Connectivity
CHK	S. HOU	10AUG2007		
APVD	W. KE	10AUG2007		
PRODUCT SPEC			NAME	
108-57085			RCPT. ASS'Y, R/A, THRUHOLE	
APPLICATION SPEC			USB B TYPE, W/ REAR SHELL	
SIZE		CAGE CODE	DRAWING NO	RESTRICTED TO
A3		00779	C=1734176	
CUSTOMER DRAWING		SCALE	SHEET	REV
			1 of 1	P1

DIMENSIONS:	TOLERANCES UNLESS OTHERWISE SPECIFIED:
mm	
Ø	0 PLC ± 0.3
	1 PLC ± 0.25
	2 PLC ± 0.12
	3 PLC ± 0.08
	4 PLC ±
	ANGLES ± 3°
MATERIAL	FINISH
SEE NOTE	SEE NOTE