

4

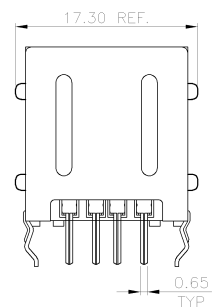
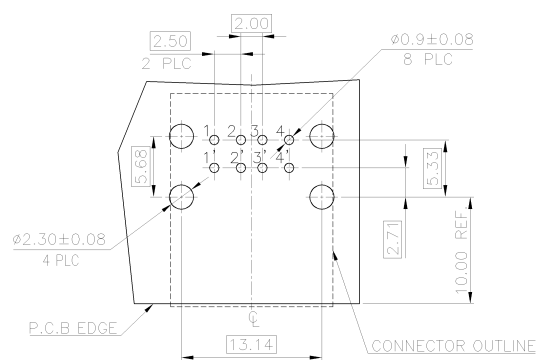
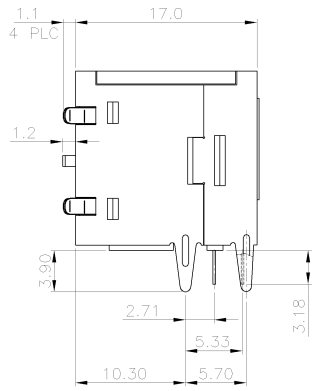
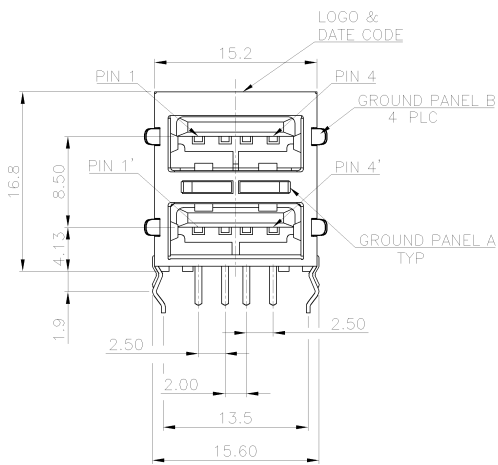
3

2

1

THIS DRAWING IS UNPUBLISHED. RELEASED FOR PUBLICATION
 © COPYRIGHT 2011 BY TYCO ELECTRONICS CORPORATION. ALL RIGHTS RESERVED.

LOC	DIST	REVISIONS			
P	LTR	DESCRIPTION	DATE	DWN	APVD
B		REVISED (ECR-11-015159)	31AUG'11	J.C.	W.K.



NOTES:
 1. MATERIAL:
 HOUSING: THERMOPLASTIC (SEE TABLE), WITH 30% GF, UL 94V-0, BLACK COLOR.
 CONTACT: PHOSPHOR BRONZE, (t=0.25mm).
 SHIELD: COLD ROLL STEEL, (t=0.35mm)
 GROUNDING STRIP: STAINLESS, (t=0.20 & 0.25mm)

2. FINISH:
 CONTACT: 0.762µm [30µ"] MIN. GOLD PLATING ON CONTACT AREA,
 3.81µm [150µ"] MIN. BRIGHT TIN PLATING ON SOLDERTAILS,
 1.27µm [50µ"] MIN. NICKEL UNDERPLATING OVERALL.
 SHIELD: 3.048µm [120µ"] MIN. NICKEL PLATED OVERALL.

⚠ WAVE SOLDER CAPABLE TO 245°C PER TE SPEC109-201, CONDITION A.
 ⚠ REFLOW SOLDER CAPABLE TO 260°C PER TE SPEC 109-201, CONDITION B.

⚠ PA9T	W/	W/O	2-1734084-2
⚠ PBT	W/	W/O	2-1734084-1
⚠ PA9T	W/O	W/	1-1734084-2
⚠ PBT	W/O	W/	1-1734084-1
⚠ PA9T	W/O	W/O	0-1734084-2
⚠ PBT	W/O	W/O	0-1734084-1
OBSOLETE			
HSG.MATERIAL	GROUND PANEL B	GROUND PANEL A	PART NUMBER

RECOMMENDED P.C.B. LAYOUT (THICKNESS=1.6mm)
 (TOP VIEW) (TOLERANCE:±0.05mm)

THIS DRAWING IS A CONTROLLED DOCUMENT.

DWN O. HU 07JUL2005	TE Connectivity RCPT, STACKED, USB, R/A, A TYPE
CHK S. JOU 07JUL2005	
APVD W.J. KE 07JUL2005	
DIMENSIONS: mm TOLERANCES UNLESS OTHERWISE SPECIFIED: 0 PLC ± - 1 PLC ± 0.35 2 PLC ± 0.25 3 PLC ± 0.15 4 PLC ± - ANGLES ± 3°	
MATERIAL: SEE NOTE FINISH: SEE NOTE	
PRODUCT SPEC: 108-57549 APPLICATION SPEC:	
WEIGHT: 6.16 GRAMS CUSTOMER DRAWING	
SIZE: A3 CAGE CODE: 00779 DRAWING NO: 1734084 RESTRICTED TO:	
SCALE: SHEET 1 of 2 REV B	

4

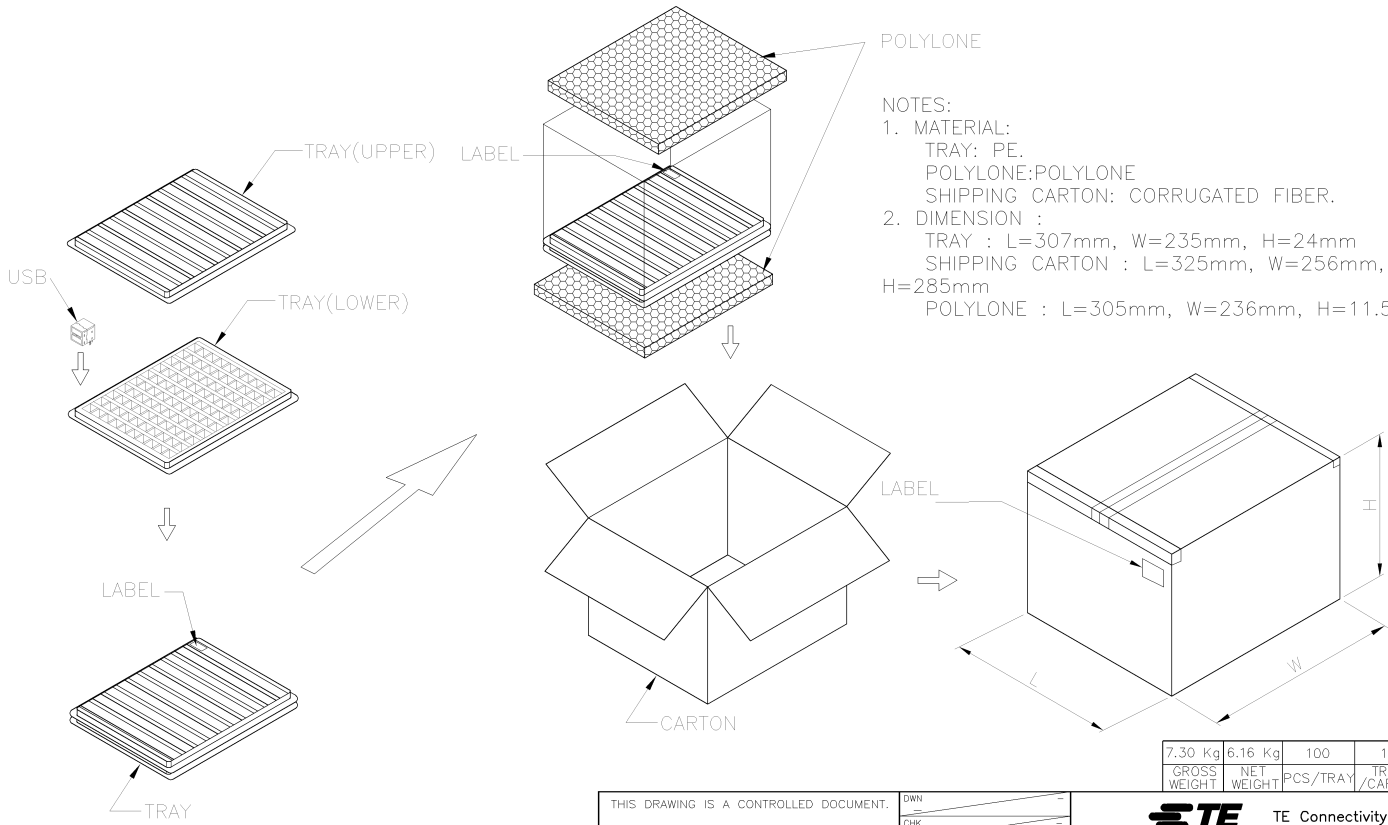
3

2

1

THIS DRAWING IS UNPUBLISHED. RELEASED FOR PUBLICATION
 © COPYRIGHT 2011 BY TYCO ELECTRONICS CORPORATION. ALL RIGHTS RESERVED.

LOC	DIST	REVISIONS				
P	LTR	DESCRIPTION	DATE	DWN	APVD	
SEE SHEET 1.						



POLYLONE

NOTES:
 1. MATERIAL:
 TRAY: PE.
 POLYLONE:POLYLONE
 SHIPPING CARTON: CORRUGATED FIBER.
 2. DIMENSION :
 TRAY : L=307mm, W=235mm, H=24mm
 SHIPPING CARTON : L=325mm, W=256mm,
 H=285mm
 POLYLONE : L=305mm, W=236mm, H=11.5mm

7.30 Kg	6.16 Kg	100	10	1000
GROSS WEIGHT	NET WEIGHT	PCS/TRAY	TRAY /CARTON	QUANTITY

THIS DRAWING IS A CONTROLLED DOCUMENT.

DIMENSIONS: mm	TOLERANCES UNLESS OTHERWISE SPECIFIED: 0 PLC ± - 1 PLC ± - 2 PLC ± - 3 PLC ± - 4 PLC ± - ANGLES ± -	DWN CHK APVD PRODUCT SPEC APPLICATION SPEC WEIGHT	NAME RCPT, STACKED, USB, R/A, A TYPE SIZE CAGE CODE DRAWING NO A3 00779 C-1734084	RESTRICTED TO
MATERIAL	FINISH	CUSTOMER DRAWING	SCALE	SHEET 2 of 2

STE TE Connectivity