

4

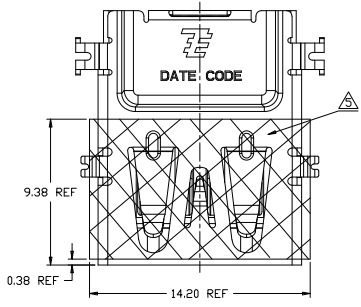
3

2

1

THIS DRAWING IS UNPUBLISHED. RELEASED FOR PUBLICATION
 © COPYRIGHT - By - ALL RIGHTS RESERVED.

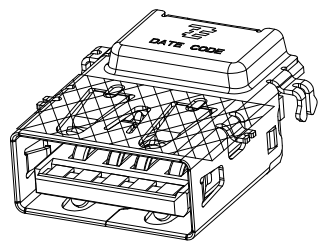
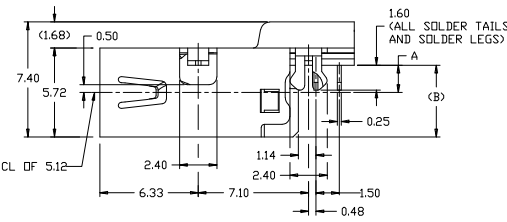
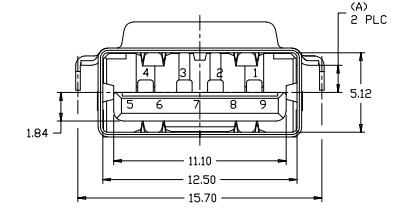
LOC	DIST	REVISIONS				
P	LTR	DESCRIPTION	DATE	DWN	APVD	
ES	00					
A		RELEASED PER ECR-10-012459	10JUN2010	F.L	S.Y	
B		RELEASED PER ECR-11-010409	18MAY2011	F.L	S.Y	



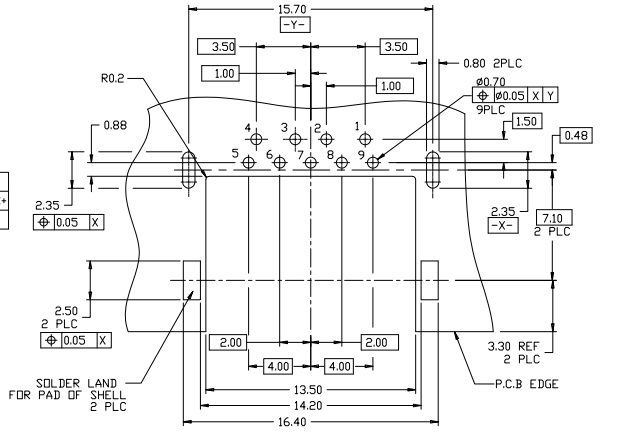
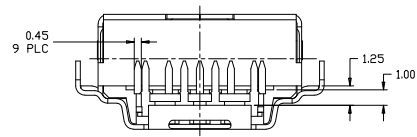
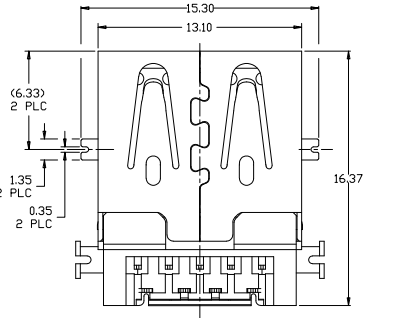
NOTES:
 △ MATERIAL: HOUSING: HIGH TEMPERATURE THERMOPLASTIC, BLUE, UL94-HB. CONTACT: COPPER ALLOY. SHELL: COPPER ALLOY.
 △ FINISH: CONTACT: GOLD PLATING ON CONTACT AREA, MIN MATTE TIN PLATING ON SOLDER TAIL AREA, 1.27um MIN. NICKEL UNDER PLATING. SHELL: BRIGHT TIN PLATING OVER NICKEL UNDER PLATING OVER ALL.
 3. RDHS COMPLIANCE.
 △ MATERIAL: HOUSING: HIGH TEMPERATURE THERMOPLASTIC, BLACK, UL94-HB. CONTACT: COPPER ALLOY. SHELL: COPPER ALLOY.
 △ POLYIMIDE TAPE. THIS PART IS PRELIMINARY.
 △ MATERIAL: HOUSING: HIGH TEMPERATURE THERMOPLASTIC, BLACK, UL94V-0. CONTACT: COPPER ALLOY. SHELL: COPPER ALLOY.

PIN ASSIGNMENTS:

PIN NO.	1	2	3	4	5	6	7	8	9
Signal Name	VBUS	D-	D+	GND	StdA_SSRX-	StdA_SSRX+	GND_Drain	StdA_SSTX-	StdA_SSTX+
Remark	USB 2.0 contact Pins				USB 3.0 Contact Pins				



PN 1932354-1,-2,-3,-4,-5,-6 WITHOUT FLANGE, AS SHOWN.



RECOMMENDED P.C.B LAYOUT FOR 1932354-M AND 1-1932354-3,-4 (THICKNESS=1.2mm) (COMPONENT SIDE) TOLERANCE=±0.03

SEE SHEET	WITH FLANGE	4.91	2.05	△	GOLD FLASH	1-1932354-4
4 OF 5				△	GOLD FLASH	1-1932354-3
		4.91	2.05	△	GOLD FLASH	1-1932354-2
				△	0.76um MIN GOLD	1-1932354-1
SEE SHEET 5 OF 5	WITHOUT FLANGE			△	GOLD FLASH	1932354-6
SEE SHEET 4 OF 5				△	0.25um MIN GOLD	1932354-5
SEE SHEET 5 OF 5		4.61	1.75		0.76um MIN GOLD	1932354-4
				△	GOLD FLASH	1932354-3
SEE SHEET 4 OF 5				△	0.25um MIN GOLD	1932354-2
					0.76um MIN GOLD	1932354-1

PACKAGE	REMARK	DIM B	DIM A	MATERIAL	THE PLATING ON CONTACT AREA	P/N

DWN Francis Lee 2AUG2010
 CHK Martin Li 2AUG2010
 APVD Steven Yao 2AUG2010
 PRODUCT SPEC
 APPLICATION SPEC
 WEIGHT
 CUSTOMER DRAWING

STE TE Connectivity
USB 3.0 REVERSE RECEPTACLE OFFSET TYPE
 SIZE A3 CAGE CODE 00779 DRAWING NO C-1932354 RESTRICTED TO
 SCALE 4:1 SHEET 1 OF 5 REV B

THIS DRAWING IS A CONTROLLED DOCUMENT.

DIMENSIONS:	TOLERANCES UNLESS OTHERWISE SPECIFIED:
mm	
0 PLC	± 0.25
1 PLC	± 0.25
2 PLC	± 0.25
3 PLC	± 0.25
4 PLC	± 0.25
ANGLES	±
MATERIAL	FINISH △

4

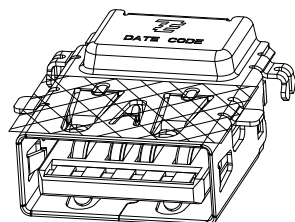
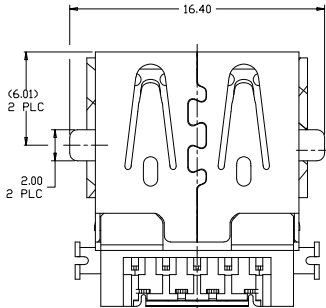
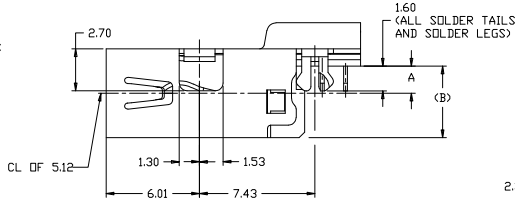
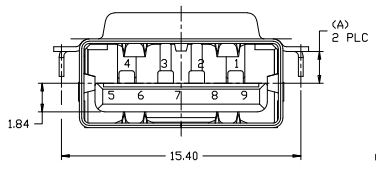
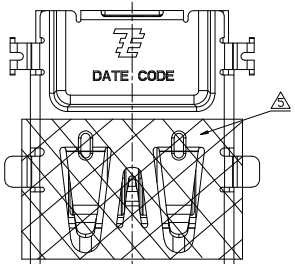
3

2

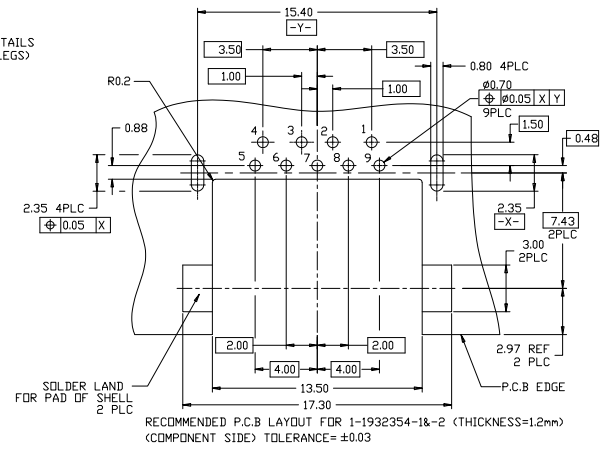
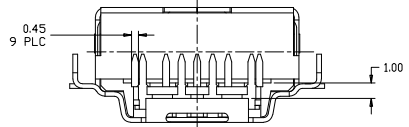
1

THIS DRAWING IS UNPUBLISHED. RELEASED FOR PUBLICATION
 © COPYRIGHT - By - ALL RIGHTS RESERVED.

LOC		DIST		REVISIONS				
P	LTR	DESCRIPTION	DATE	DWN	APVD			
ES	00	SEE SHEET 1	-	-	-			



PN 1-1932354-1,-2 WITHOUT FLANGE,
 UNMARKED SAME AS 1932354-1.



THIS DRAWING IS A CONTROLLED DOCUMENT.		DWN	2AUG2010	 TE Connectivity	NAME USB 3.0 REVERSE RECEPTACLE OFFSET TYPE	RESTRICTED TO			
DIMENSIONS: mm		CHK	2AUG2010						
TOLERANCES UNLESS OTHERWISE SPECIFIED:		APVD	2AUG2010						
0 PLC ± 0.25 1 PLC ± 0.25 2 PLC ± 0.25 3 PLC ± 0.25 4 PLC ± 0.25 ANGLES ±		PRODUCT SPEC APPLICATION SPEC WEIGHT SIZE CAGE CODE DRAWING NO A3 00779 C-1932354							
MATERIAL		CUSTOMER DRAWING		SCALE	4:1	SHEET	2 of 5	REV	B

4

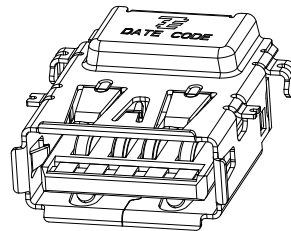
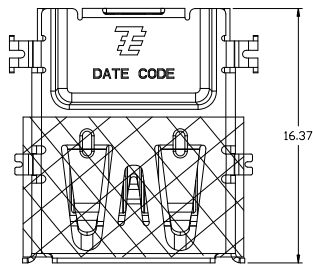
3

2

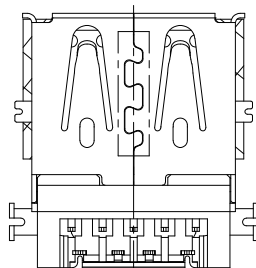
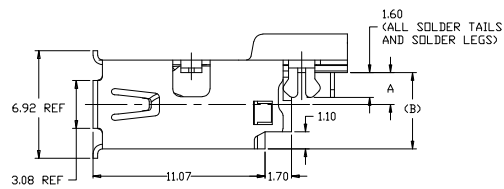
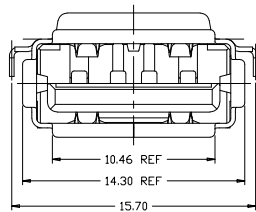
1

THIS DRAWING IS UNPUBLISHED. RELEASED FOR PUBLICATION
 © COPYRIGHT - By - ALL RIGHTS RESERVED.

LOC	DIST	REVISIONS			
P	LTR	DESCRIPTION	DATE	DWN	APVD
-	-	SEE SHEET 1	-	-	-



PN 1-1932354-3,-4, WITH FLANGE,
UNMARKED SAME AS 1932354-1



THIS DRAWING IS A CONTROLLED DOCUMENT.		DWN Francis Lee 2AUG2010	TE Connectivity		
DIMENSIONS: mm		CHK Martin Li 2AUG2010			
TOLERANCES UNLESS OTHERWISE SPECIFIED:		APVD Steven Yao 2AUG2010	NAME		
0 PLC ± 0.25 1 PLC ± 0.25 2 PLC ± 0.25 3 PLC ± 0.25 4 PLC ± 0.25 ANGLES ± -		PRODUCT SPEC	USB 3.0 REVERSE RECEPTACLE OFFSET TYPE PACKING DRAWING		
MATERIAL FINISH		WEIGHT	SIZE A3	CAGE CODE 00779	DRAWING NO C-1932354
		CUSTOMER DRAWING	SCALE 4:1	SHEET 3 of 5	REV B

4

3

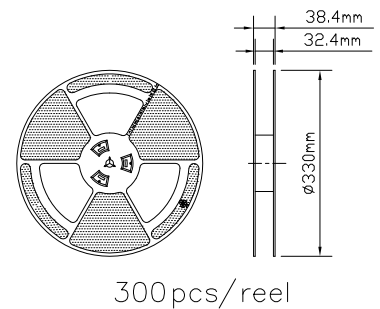
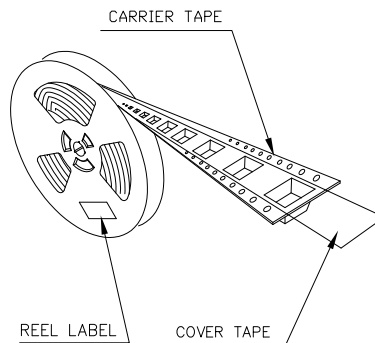
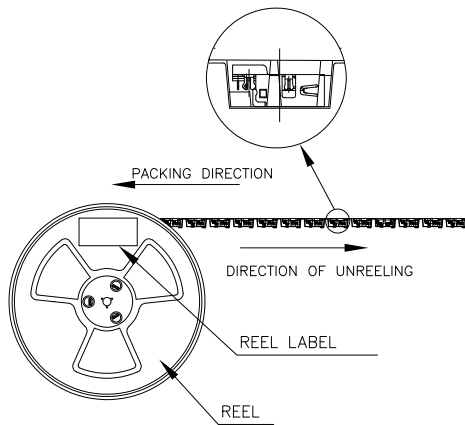
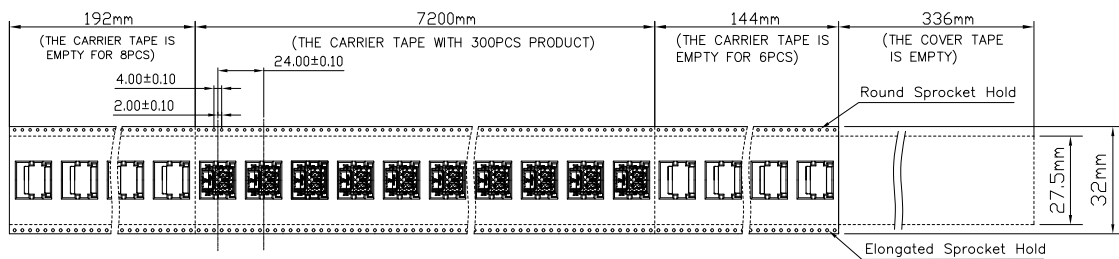
2

1

THIS DRAWING IS UNPUBLISHED. RELEASED FOR PUBLICATION
 © COPYRIGHT - By - ALL RIGHTS RESERVED.

LOC	DIST	REVISIONS					
ES	00	P	LTR	DESCRIPTION	DATE	DWN	APVD
		-		SEE SHEET 1	-	-	-

PACKING DIRECTION



Note
 1 The difference between the sheet 4of5 and sheet 5of5 is the reversed position of product in emboss.
 2 This Package Drawing is for below part number: 1-1932354-4,1-1932354-3, 1-1932354-2,1-1932354-1,1932534-5, 1932354-3,1932354-2,1932354-1

THIS DRAWING IS A CONTROLLED DOCUMENT.		DWN Francis Lee 2AUG2010	STE TE Connectivity	
DIMENSIONS: mm		CHK Martin Li 2AUG2010		
TOLERANCES UNLESS OTHERWISE SPECIFIED:		APVD Steven Yao 2AUG2010	NAME	
0 PLC ± 0.25		PRODUCT SPEC	USB 3.0 REVERSE RECEPTACLE	
1 PLC ± 0.10		APPLICATION SPEC	OFFSET TYPE	
2 PLC ± 0.1		WEIGHT	PACKING DRAWING	
3 PLC ± 0.1		SIZE A3	CAGE CODE 00779	DRAWING NO C-1932354
4 PLC ± 0.1		CUSTOMER DRAWING	SCALE 4:1	SHEET 4 of 5
ANGLES ± -				REV B
FINISH				

4

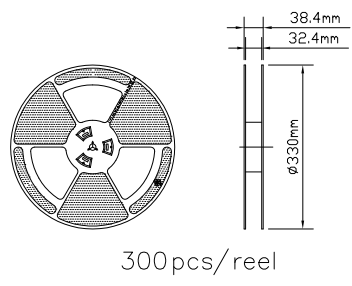
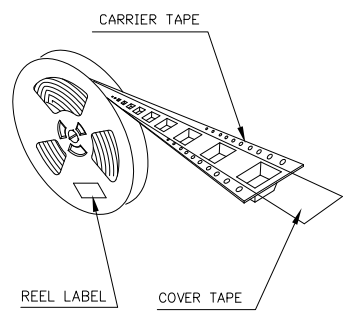
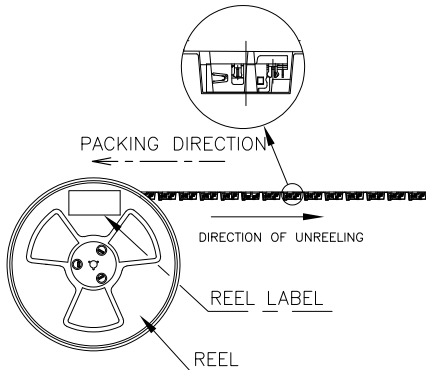
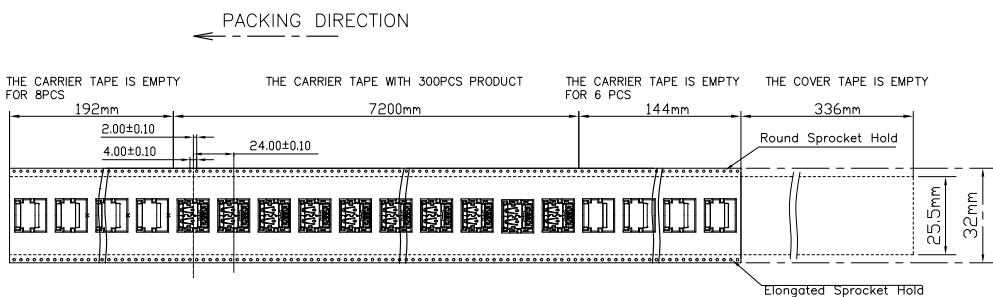
3

2

1

THIS DRAWING IS UNPUBLISHED. RELEASED FOR PUBLICATION
 © COPYRIGHT - By - ALL RIGHTS RESERVED.

LOC	DIST	REVISIONS				
P	LTR	DESCRIPTION	DATE	DWN	APVD	
ES	00	SEE SHEET 1	-	-	-	



300 pcs/reel

Note:
 1 The difference between the sheet 4of5 and sheet 5of5 is the reversed position of product in emboss.
 2 This Package Drawing is for below part number: 1932354-6,1932354-4.

THIS DRAWING IS A CONTROLLED DOCUMENT.		DWN	Francis Lee		2AUG2010	 TE Connectivity
DIMENSIONS:		CHK	Martin Li		2AUG2010	
mm		APVD	Steven Yao		2AUG2010	
TOLERANCES UNLESS OTHERWISE SPECIFIED:		NAME		USB 3.0 REVERSE RECEPTACLE		
0 PLC	± 0.25	PRODUCT SPEC		OFFSET TYPE		
1 PLC	± 0.10	APPLICATION SPEC		PACKING DRAWING		
2 PLC	± 0.1	SIZE	CAGE CODE	DRAWING NO	RESTRICTED TO	
3 PLC	± 0.1	A3	00779	C-1932354	-	
4 PLC	± 0.1	WEIGHT		CUSTOMER DRAWING		
ANGLES	± -	FINISH		SCALE	SHEET	REV
MATERIAL	-	-		4:1	5 of 5	B