

4

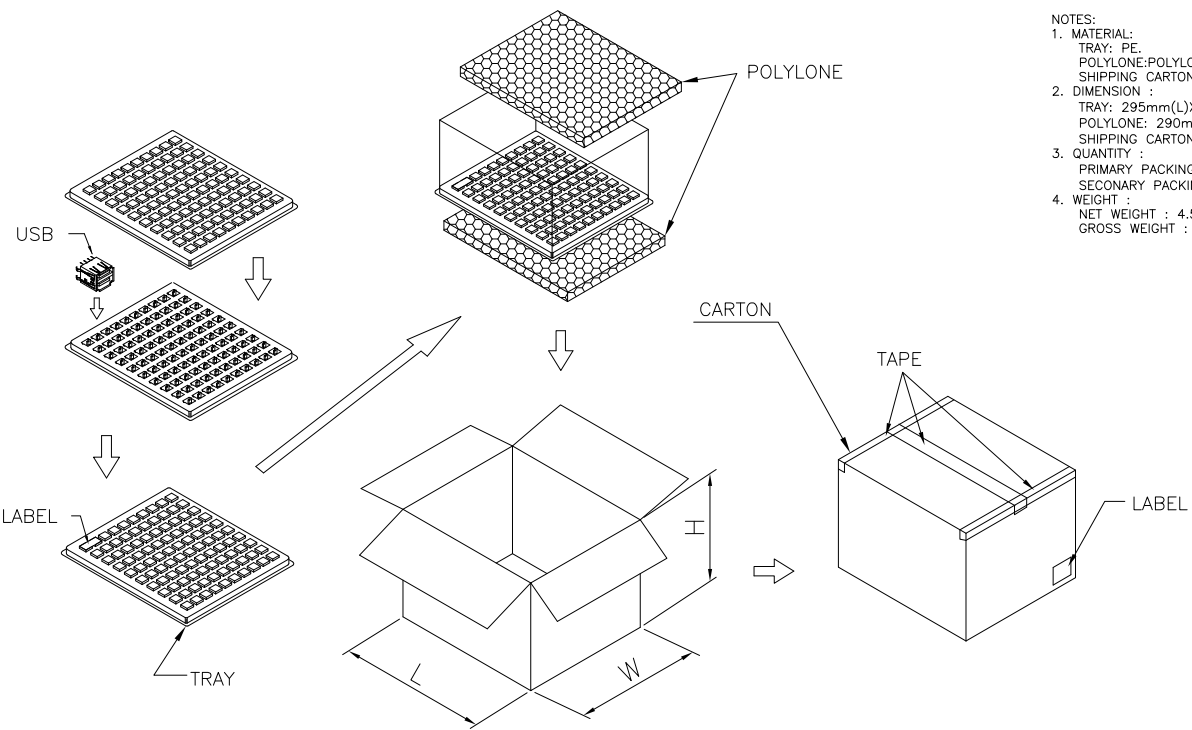
3

2

1

THIS DRAWING IS UNPUBLISHED. RELEASED FOR PUBLICATION
 © COPYRIGHT - BY - ALL RIGHTS RESERVED.

LOC	DIST	REVISIONS			
P	LTR	DESCRIPTION	DATE	DWN	APVD
DW		SEE SHEET 1			



- NOTES:
- MATERIAL:
 TRAY: PE
 POLYLONE: POLYLONE
 SHIPPING CARTON: CORRUGATED FIBER.
 - DIMENSION :
 TRAY: 295mm(L)X 255mm(W)X 19mm(H)
 POLYLONE: 290mm(L)X 250mm(W)X 20mm(H)
 SHIPPING CARTON: 315mm(L)X 260mm(W)X 220mm(H)
 - QUANTITY :
 PRIMARY PACKING: 100 PCS/TRAY
 SECONDARY PACKING: 10 TRAYS/CARTON(1000PCS).
 - WEIGHT :
 NET WEIGHT : 4.57 KG
 GROSS WEIGHT : 6.63 KG

THIS DRAWING IS A CONTROLLED DOCUMENT.		DWN	TE Connectivity		
		CHK			
DIMENSIONS: MM	TOLERANCES UNLESS OTHERWISE SPECIFIED:	APVD	NAME		
 0 PLC ± - 1 PLC ± - 2 PLC ± - 3 PLC ± - 4 PLC ± - ANGLES ± -	SEE NOTE	PRODUCT SPEC	USB CONNECTOR, STACKED, VERTICAL, DIP, A TYPE		
		QUALIFICATION TEST REPORT	SIZE	CAGE CODE	DRAWING NO
		WEIGHT	A3	00779	C=1775066
		CUSTOMER DRAWING		SCALE	SHEET
			REV	B2	