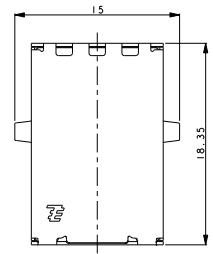
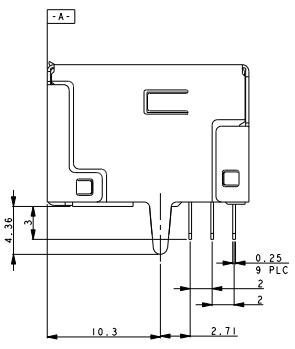
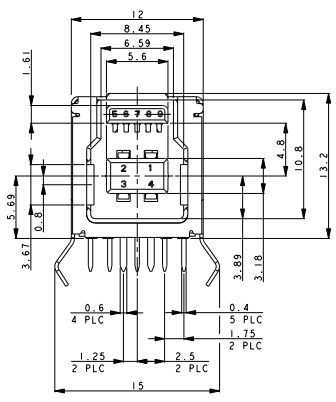
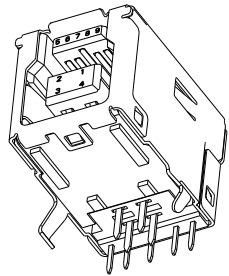


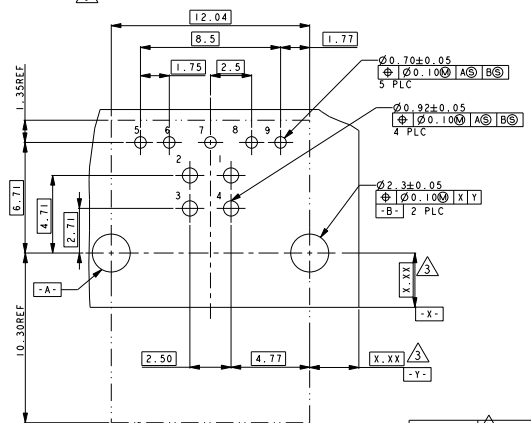
REV	DATE	DESCRIPTION	BY	CHKD
A	21FEB2012	RELEASED PER ECR-12-003396	FL	SY



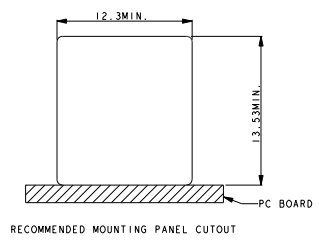
PIN NO.	SIGNAL NAME	REMARK
1	VBUS	USB 2.0 CONTACT PINS
2	D-	
3	D+	
4	GND	
5	StdB_SSTX-	USB 3.0 CONTACT PINS
6	StdB_SSTX+	
7	GND_DRAIN	
8	StdB_SSRX-	
9	StdB_SSRX+	



- △ MATERIAL:
SHELL & CONTACTS: COPPER ALLOY.
HOUSING & TINE PLATE: THERMOPLASTIC.
- △ PLATING:
CONTACT PLATING: 0.76um MIN. GOLD ON MATING AREA.
2.54um MIN. MATTE TIN ON SOLDER TAILS.
1.27um MIN. NICKEL UNDER PLATING.
SHELL PLATING: 2.54um MIN. TIN PLATING OVER 1.27um MIN. NICKEL.
- △ PLATING:
CONTACT PLATING: 0.38um MIN. GOLD ON MATING AREA.
2.54um MIN. MATTE TIN ON SOLDER TAILS.
1.27um MIN. NICKEL UNDER PLATING.
SHELL PLATING: 2.54um MIN. TIN PLATING OVER 1.27um MIN. NICKEL.
- △ PLATING:
CONTACT PLATING: GOLDEN FLASH ON MATING AREA.
2.54um MIN. MATTE TIN ON SOLDER TAILS.
1.27um MIN. NICKEL UNDER PLATING.
SHELL PLATING: 2.54um MIN. TIN PLATING OVER 1.27um MIN. NICKEL.
- △ DATUM AND BASIC DIMENSIONS ESTABLISHED BY CUSTOMER.
- △ RECOMMENDED PC BOARD THICKNESS OF 1.60.



TAPE&REEL	4	3	1
TAPE&REEL	1-1932259-3	1-1932259-2	1-1932259-1
TRAY	1932259-3	1932259-2	1932259-1
PACKAGE FINISH MATERIAL			
PART NUMBER			



THIS DRAWING IS A CONTROLLED DOCUMENT. DATE: 21FEB2012. BY: FRANCIS LIU. CHK: XIANG XU. APPR: STEVEN YAO.

TE Connectivity

NAME: USB3.0 STANDARD B TYPE RECEPTACLE

APPROVALS: FRANCIS LIU (DATE: 21FEB2012), XIANG XU (DATE: 21FEB2012), STEVEN YAO (DATE: 21FEB2012)

APPLICATION SPEC: 108-115001

WEIGHT: -

SHEET: A2 OF 1. CASE CODE: D0779. DRAWING NO: C-1932259

RESTRICTED TO: -

CUSTOMER DRAWING. SCALE: 4:1. SHEET 1 OF 1. REV A