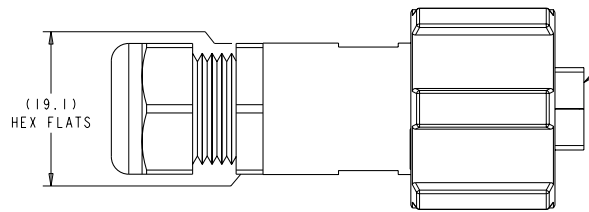
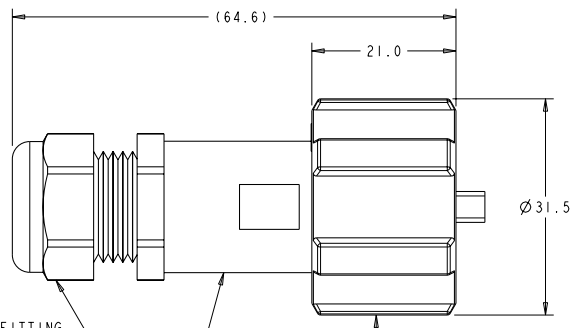


REVISIONS				
P	LYR	DESCRIPTION	DATE	BY
A		REVISED PER ECO-09-009008	08APR2009	SS MS



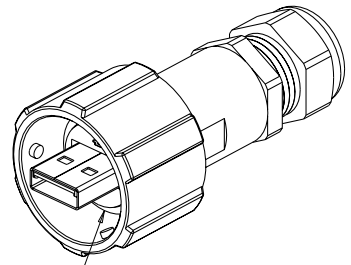
USB HARDWARE PLUG ASSEMBLY, SERIES A
 HOUSING - PBT
 CONTACTS - BRASS, GOLD OVER NICKEL
 SHIELD - STEEL, NICKEL PLATED



△ CABLE FITTING AND ELASTOMER
 POLYAMIDE
 COLOR: BLACK

△ PLUG HOUSING
 POLYESTER, COLOR: BLACK

△ COUPLING RING
 POLYESTER, COLOR: BLACK



SCALE 2:1

△ INTERFACIAL SEAL
 ELASTOMER, COLOR: ORANGE-RED

△ CABLE DIAMETER RANGE, 4.6 mm TO 7.9 mm, CABLE FITTING ONLY,
 SEE APPLICATION SPECIFICATION FOR PLUG TERMINATION INFORMATION

2. THIS PRODUCT HAS NOT COMPLETED VALIDATION TESTING.

3. PARTS PACKAGED UNASSEMBLED IN POLYBAG.

△ GEOMETRY CAN VARY.

△ ELASTOMER SEAL IS SECURED TO HOUSING WITH ADHESIVE.

1954637-1
 PART NO

DIMENSIONS: mm 		TO BE USED ONLY FOR: OPERATING SPECIFICATIONS	DWG: BRAGHU 05OCT06 CBY: LANDIS 05OCT06 APPD: - NAME: -	Tyco Electronics Harrisburg, PA 17105-3608
MATERIAL: -		FINISH: -	PRODUCT SPEC: 108-2318 APPLICATION SPEC: 114-13211	PLUG KIT, SERIES A CIRCULAR SEALED USB CONNECTOR
WEIGHT: -		CUSTOMER DRAWING	SCALE: 5:2	SHEET 1 OF 1 REV A