

THIS DRAWING IS UNPUBLISHED
 VERTRÄULICHE UNVERÖFFENTLICHE ZEICHNUNG
 COPYRIGHT 2000 BY AMP INCORPORATED
 RELEASE FOR PUBLIKATION
 FREI FÜR VERÖFFENTLICHUNG
 J.2000
 ALL RIGHTS RESERVED
 ALLE RECHTE VORRESERVIEREN

MATED WITH:
 PASSEND ZU:
 BG5

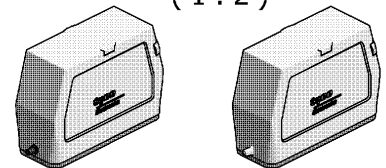
LOC AI
 DIST -
 PROJEKT NR. EGGMA08416

REVISIONS ÄNDERUNGEN				DATE	DWN	APVD
DESCRIPTION BESCHREIBUNG						
AS PER ECR-06-006735	B1		3/20/2006	PB	ST	

NOTES

- 1 PACKAGING QUANTITY: 5 PIECES PER BOX
- 2 MATERIAL: HOUSING: ALUMINIUM DIECASTING ALLOY
SEALS: NEOPRENE
- 3 SURFACE: ALUMINIUM OXIDE + VARNISH BLACK
-GREY / BLACK / WITHOUT VARNISH
- 4 VARNISH ON THE INSIDE NOT NECESSARY

(1:2)



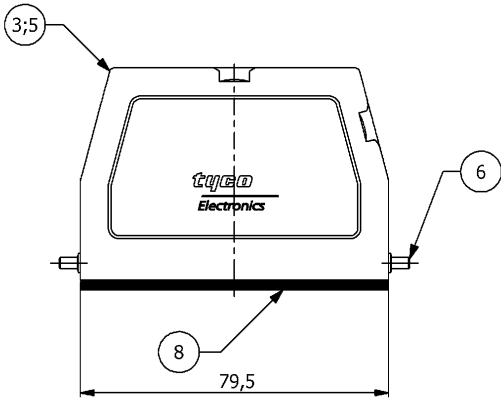
PN 0-3 & 2-7

PN 0-1,0-2 & 1-7

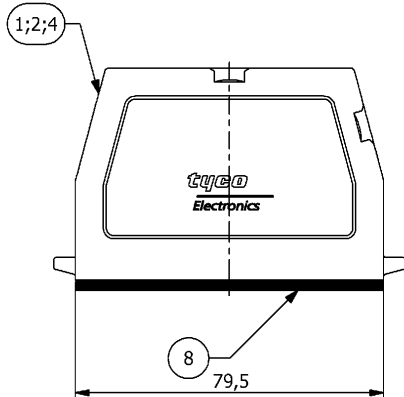
QTY	QTY	QTY	QTY	QTY	DESCRIPTION	MATERIAL	SURFACE	COLOR	ITEM NO.	REMARKS
1	1	1	1	1	Profile Seal	Neoprene	-	Black	7	Bg5
2	-	2	-	-	Clip Bolt	V2A / Steel	Blank / Even	-	6	-
1	-	-	-	-	HA Hood	Aluminium	Aluminium oxide	Black	5	Pg16
-	1	-	-	-	HA Hood	Aluminium	-	Grey	4	Pg16
-	-	1	-	-	HA Hood	Aluminium	-	No Varnish	3	Pg16
-	-	-	1	-	HA Hood	Aluminium	-	Black	2	Pg16
-	-	-	-	1	HA Hood	Aluminium	-	Grey	1	Without Pg Hole

2-7	1-7	0-3	0-2	0-1	DESCRIPTION	MATERIAL	SURFACE	COLOR	ITEM NO.	REMARKS
					HA.16.ST					
					HA.16.STS.1.16.G					
					HA.16.STS.1.16.G					
					HA.16.STS.1.16.G					
					HA-K.16.STS.1.16.G					

DIMENSIONS: DIMENSIONEN: mm		TOLERANCES UNLESS OTHERWISE SPECIFIED: ALLGEMEINTELERANZEN		DWN	2/24/2006	Tyco Electronics		Tyco / Electronics AMP GmbH D - 53819 Neunkirchen	
D P L C P L C P L C P L C		H H E T T D P P P P P P		CHK	2/24/2006	NAME		RESTRICTED TO NUR FÜR	
MATERIAL		FINISH / OBERFLÄCHE / FARBE		APVD	2/24/2006	HOOD		1102136	
2		3		T.SCHNURPFEL		HA.16.STS.1.16.G		DRAWINGS NO. ZIEHUNGS-NR.	
				PRODUCT SPEC. PRODUKTSPEZ.		108-74009		SCALE MASSSTAB	
				APPROXIMATION SPEC. VERARBEITUNGSSPEZ.		114-74001		SHEET BLATT	
				SIZE		A3		OF VON	
				WEIGHT GEWICHT		00779		1	
				CUSTOMER DRAWING / KUNDENZEICHNUNG				REV B1	



PN 0-3 & 2-7 as shown



PN 0-1,0-2 & 1-7 as shown