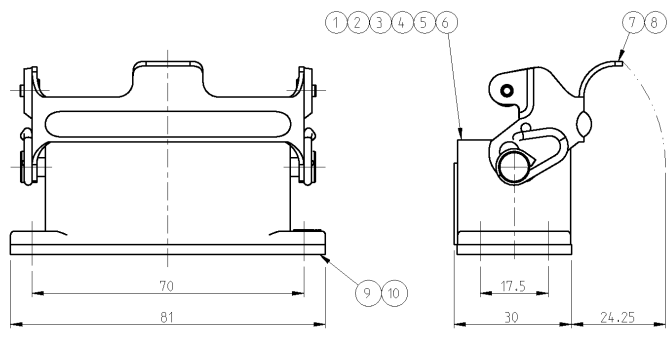


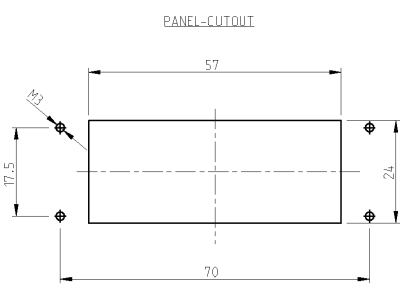
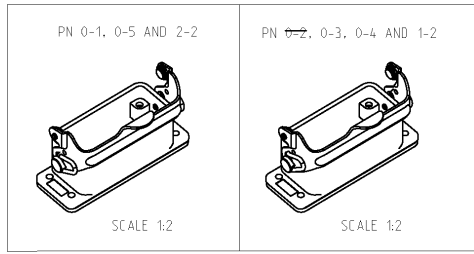
THIS DRAWING IS UNPUBLISHED. RELEASED FOR PUBLICATION 2000  
 © COPYRIGHT 2000 BY TYCO ELECTRONICS CORPORATION. ALL RIGHTS RESERVED.

LOC	DIST	P	LTR	REVISIONS	DATE	DWN	APVD
A1	-			RELEASED AS PER ECR-09-0001570	05.MAR.2009	GG	TS
				<b>A7 REVISED PER ECO-09-027197</b>	<b>19JAN10</b>	<b>KK</b>	<b>HMR</b>

- NOTES:
- 1 MATERIAL: SEE TABLE
  - 2 SURFACE: SEE TABLE
  - 3 VARNISH ON THE INSIDE NOT NECESSARY
  - 4 Chromital TCP - PASSIVATION
  - 5 **OBsolete PARTS: OBSOLETE CIS STREAMLINING PER D.RENAUD/D.SINISI**



PN 0-1 AS SHOWN



-	-	-	-	-	-	FLANGE MOUNTED SEAL	NEOPRENE	CONDUCTIVE	BLACK	10	
1	1	1	-	1	1	FLANGE MOUNTED SEAL	NEOPRENE		BLACK	9	
1	-	1	-	-	1	LB- SIDE CLIP	STAINLESS STEEL			8	
-	1	-	1	1	-	LB- SIDE CLIP	STEEL	ZINC PLATED	BLUE	7	
-	-	1	-	-	-	SURFACE MOUNTED HOUSING, BOTTOM ENTRY	ALUMINIUM	HARD COAT	BLACK	6	Ø3.7mm
-	-	-	1	-	-	SURFACE MOUNTED HOUSING, BOTTOM ENTRY	ALUMINIUM	HARD COAT	AL COLOR	5	
-	-	-	-	-	1	SURFACE MOUNTED HOUSING, BOTTOM ENTRY	ALUMINIUM		WITHOUT VARNISH	4	
-	-	-	-	-	-	SURFACE MOUNTED HOUSING, BOTTOM ENTRY	ALUMINIUM		BLACK RAL 9005	3	
1	-	-	-	-	-	SURFACE MOUNTED HOUSING, BOTTOM ENTRY	ALUMINIUM	ALUMINIUM OXIDE	GREY RAL 7001	2	
-	1	-	-	1	-	SURFACE MOUNTED HOUSING, BOTTOM ENTRY	ALUMINIUM			1	
2-2	1-2	0-5	0-4	0-3	0-2	0-1	DESCRIPTION	MATERIAL	SURFACE	COLOR	ITEM NO
ORDERING TEXT											
HA-K.10.AG-LB.50											
HA.10.AG-LB.50											
HA.10.AG-LB.KM											
HA-EMV.10.AG-LB											
HA-K.10.AG-LB											
HA.10.AG-LB											

<p>THIS DRAWING IS A CONTROLLED DOCUMENT FOR TYCO ELECTRONICS CORPORATION                  IT IS SUBJECT TO CHANGE AND THE CONTROLLER'S OFFICE OR ORGANIZATION                  SHOULD BE CONTACTED FOR THE LATEST REVISION.</p>		DWN 4/8/1999 SCHNEIDER CHK 4/8/1999 SCHWEIGER APVD 4/8/1999 T.SCHNURPFEL PRODUCT SPEC 108-74009 APPLICATION SPEC 114-74004 WEIGHT - CUSTOMER DRAWING	Tyco Electronics Tyco Electronics AMP GmbH 53757.Sankt Augustin.Germany NAME SURFACE MOUNTED HOUSING, BOTTOM ENTRY HA10.AG-LB SIZE CAGE CODE DRAWING NO A3 00779 C-1102121 RESTRICTED TO - SCALE 1:1 SHEET 1 of 1 REV A7
--	--	---	---