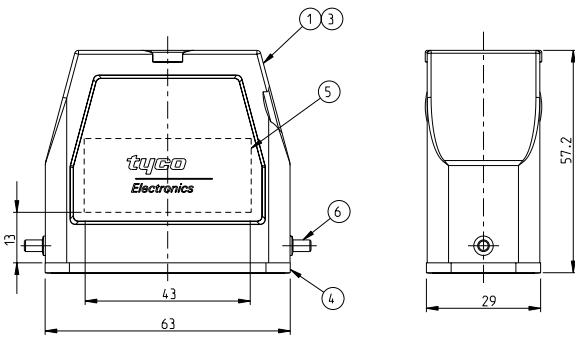
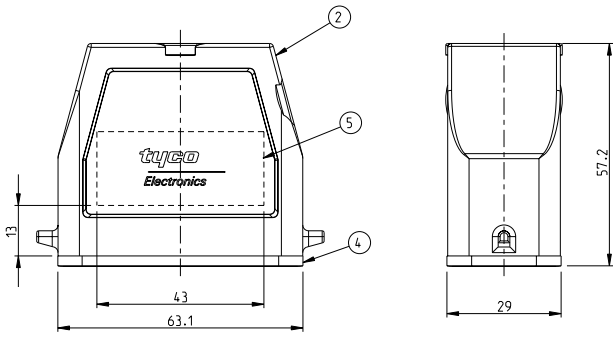


THIS DRAWING IS UNPUBLISHED. RELEASED FOR PUBLICATION 2000
 © COPYRIGHT 2000 BY TYCO ELECTRONICS CORPORATION. ALL RIGHTS RESERVED.

PN 0-2 & 2-7

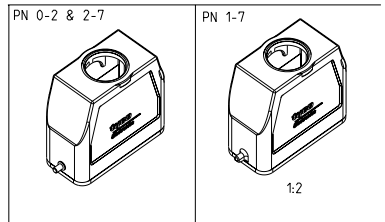


PN 1-7



LOC	DIST	REVISIONS				
P	LTR	DESCRIPTION	DATE	DWN	APVD	
A	-	C4	ECR-10-016845	12AUG2010	GW	BR

- NOTES
- 1 PACKAGING QUANTITY: 5 PIECES PER BOX
 - 2 MATERIAL: HOUSING ALUMINIUM DIECASTING ALLOY SEALS: NEOPRENE
 - 3 SURFACE: POWDER COATED CORROSION PROTECTION
 - 4 VARNISH ON THE INSIDE NOT NECESSARY



QTY	DESCRIPTION	MATERIAL	SURFACE	COLOR	ITEM NO	REMARKS
2	CLIP BOLT	STAINLESS STEEL	BLANK	-	6	
2	INSULATING TAPE	COROPLAST TYP 303	-	GREY	5	PVC-SOFT
1	PROFILE SEAL	NEOPRENE	-	BLACK	4	-
1	HOOD HA-K	ALUMINIUM	ALUMINIUM OXIDE	BLACK RAL 9005	3	-
-	HOOD HA	ALUMINIUM	-	GREY RAL 7001	2	-
-	HOOD HA-K	ALUMINIUM	ALUMINIUM OXIDE	WHITE ALUMINIUM RAL 9006	1	-

HA-K.10.STO.1.16.G
 HA.10.STO.1.16.G
 HA-K.10.STO.1.16.G

DIMENSIONS: mm 		TOLERANCES UNLESS OTHERWISE SPECIFIED: 0 PLC ± 1 PLC ± 2 PLC ± 3 PLC ± 4 PCC ± ANGLES		DOWN 23.02.2006 S.KUMAR CHK 23.02.2006 R.SRINIVAS APVD 23.02.2006 T.SCHNURPFEL		Tyco Electronics, AMP.GmbH 53757 Sankt Augustin, Germany	
MATERIAL FINISH		PRODUCT SPEC 108-74009		NAME HOOD HA.10.STO.1.16.G		RESTRICTED TO	
CUSTOMER DRAWING		WEIGHT -		SIZE CAGE CODE DRAWING NO A3 00779 C=1102120		SCALE 1:1 SHEET 1 OF 1 REV C4	