

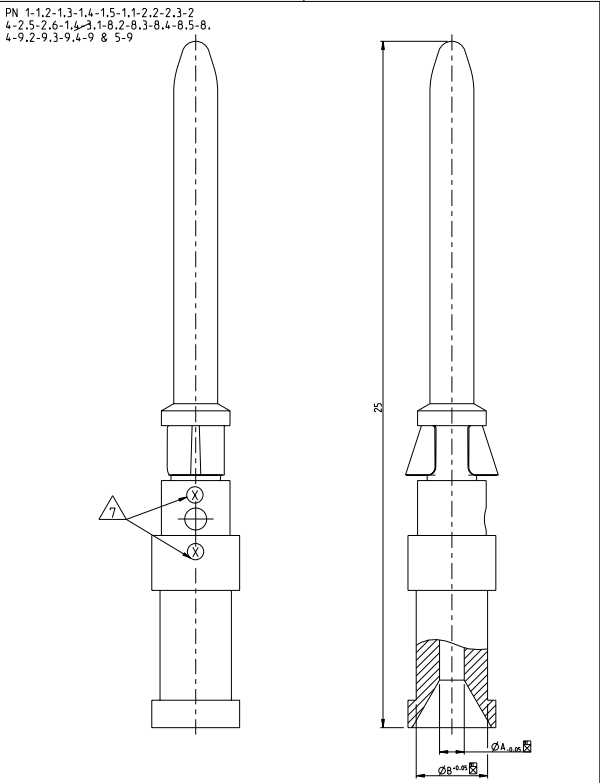
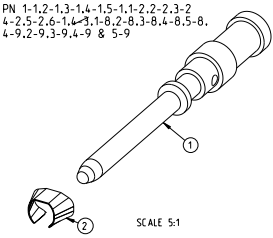
4

3

2

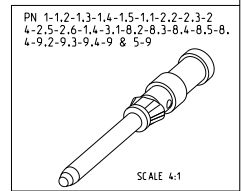
1

THIS DRAWING IS UNPUBLISHED. RELEASED FOR PUBLICATION  
 Copyright 1997 ALL RIGHTS RESERVED.



REV	DATE	BY	APPV
B13	9-Mar-2009	CJ	TS
B14	05-APR-2011	SR	AR

- NOTES
- ① MATERIAL SEE TABLE
  - ② SURFACE SEE TABLE
  - ③ ASSEMBLY WEIGHT SEE TABLE
  - ④ PACKAGING: 50 PIECES IN POLY-BAG 0-1243085-8
  - ⑤ PACKAGING: 500 PIECES IN POLY-BAG 0-1243085-8
  - ⑥ PACKAGING: 10 PIECES IN POLY-BAG 0-1243085-8
  - ⑦ CROSS-SECTION MARKING



QTY	DESCRIPTION	WEIGHT (Kg)	MATERIAL	SURFACE	ØA	ØB	CROSS SECTION MARKING	POS
1	Latch Spring		Stainless Steel					Z
1	Pin Contact 1.5 mm <sup>2</sup>	0.00062	Ms/Brass	Ag/Ni	1.8	3.0		4
1	Pin Contact 4.0 mm <sup>2</sup>	0.00059	Ms/Brass	Ag/Ni	2.4	3.2		6
1	Pin Contact 2.5 mm <sup>2</sup>	0.00067	Ms/Brass	Au	2.2	3.2		5
1	Pin Contact 1.5 mm <sup>2</sup>	0.00067	Ms/Brass	Au	1.8	3.0		4
1	Pin Contact 0.75-10 mm <sup>2</sup>	0.00063	Ms/Brass	Au	1.45	2.6		3
1	Pin Contact 0.5 mm <sup>2</sup>	0.00062	Ms/Brass	Au	1.1	2.6		2
1	Pin Contact 0.14-0.37 mm <sup>2</sup>	0.00061	Ms/Brass	Ag	0.9	2.6		1
1	Pin Contact 2.5 mm <sup>2</sup>	0.00065	Ms/Brass	Ag/Cu	2.2	3.2		5
1	Pin Contact 1.5 mm <sup>2</sup>	0.00067	Ms/Brass	Ag/Cu	1.8	3.0		4
1	Pin Contact 0.75-10 mm <sup>2</sup>	0.00063	Ms/Brass	Ag/Cu	1.45	2.6		3
1	Pin Contact 0.5 mm <sup>2</sup>	0.00062	Ms/Brass	Ag/Cu	1.1	2.6		2
1	Pin Contact 0.14-0.37 mm <sup>2</sup>	0.00061	Ms/Brass		0.9	2.6		1
1	Pin Contact 0.14-0.37 mm <sup>2</sup>	0.00065	Fe		0.9	2.6		1
1	Pin Contact 0.14-0.37 mm <sup>2</sup>	0.00067	Ms/Brass	Ag/Cu	0.9	2.6		1

THIS DRAWING IS A CONTROLLED DOCUMENT.

DATE: 23.07.1997  
 BY: Braun  
 CHK: Schürzleil

TE Connectivity  
**TE**  
 PIN CONTACT SERIES HN.D

PRODUCT SPEC: 108-74018  
 APPLICATION SPEC: 114-74015  
 WEIGHT: -

SIZE: A2  
 CASE CODE: 00779  
 DRAWING NO: 114-74015  
 SCALE: 10:1  
 SHEET: 1 of 1  
 REV: 14