

4

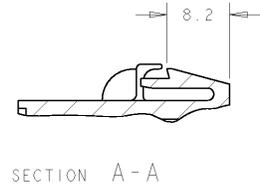
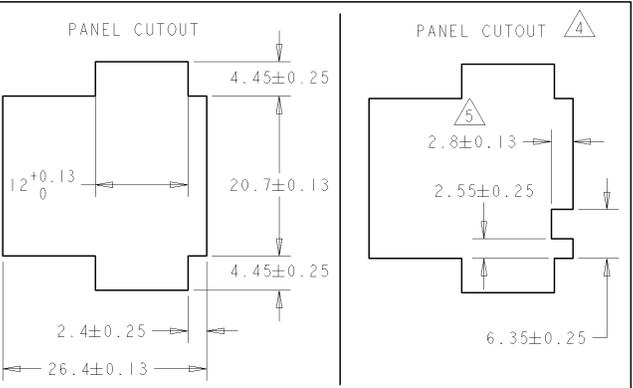
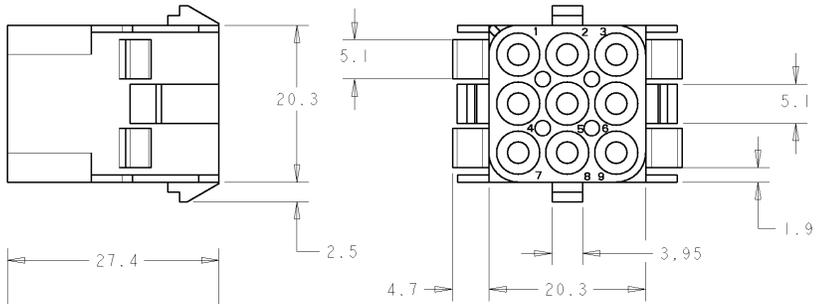
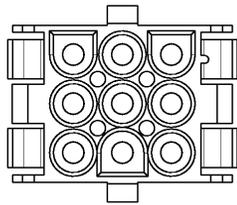
3

2

1

THIS DRAWING IS UNPUBLISHED. RELEASED FOR PUBLICATION  
COPYRIGHT 20 BY TYCO ELECTRONICS CORPORATION. ALL RIGHTS RESERVED.

LOC	DIST	REVISIONS			
P	LTR	DESCRIPTION	DATE	DWN	APVD
F		REDRAWN AND ADDED NOTE ABOUT GWF1	05MAR2008	J.S.	L.B.



- 1 SUITABLE FOR PIN AND FEMALE CONTACTS
- 2 RECOMMENDED SHEET METAL THICKNESS 0.75 - 2.3 mm.
- 3 HOUSING MUST BE INTRODUCED IN PUNCHING DIRECTION.
- 4 FOR CODED USING OF THE HOUSINGS
- 5 POSITION OF CAVITY 1 FOR CODED USING
- 6 NEW MATERIAL (PHOSPOR AND HALOGENEUS FREE).
- 7 GWT 750°C (WITHOUT FLAME) ACCORDING IEC 60335-1 EDITION 06/2001
- 8 MATERIAL WITH GWF1 850°C

PN	MATERIAL	COLOUR
927231-5	PA6 UL-94 V2	NATURAL
927231-4	PA66 UL-94 V0	WHITE
927231-3	PA66 UL-94 V0	NATURAL
927231-2	PA66 UL-94 V0	BLACK
927231-1	PA66 UL-94 V0	NATURAL

<small>THIS DRAWING IS A CONTROLLED DOCUMENT FOR TYCO ELECTRONICS CORPORATION. IT IS SUBJECT TO CHANGE AND THE CONTROLLING ENGINEERING ORGANIZATION SHOULD BE CONTACTED FOR THE LATEST REVISION.</small>		DWN 05MAR2008 J. SALO CHK 06MAR2008 J. LAZARO APVD 06MAR2008 I. RATILLO	<b>Tyco Electronics</b> Tyco Electronics AMP España, S.A. Barcelona, Spain.
DIMENSIONS: mm 	TOLERANCES UNLESS OTHERWISE SPECIFIED: 0 PLC ±0.2 1 PLC ±0.2 2 PLC ±0.2 3 PLC ± 4 PLC ± ANGLES ± FINISH -	NAME <b>UMNL 9 WAY CAP HOUSING</b>	RESTRICTED TO -
MATERIAL SEE TABLE		PRODUCT SPEC 108-1031 APPLICATION SPEC 114-18011 WEIGHT - CUSTOMER DRAWING	SIZE A3 CAGE CODE 00779 DRAWING NO C-C-927231 SCALE 2:1 SHEET 1 OF 1 REV F

AMP 1470-19 REV 31MAR2000  
P10/ENGINEER DRAWING