

4

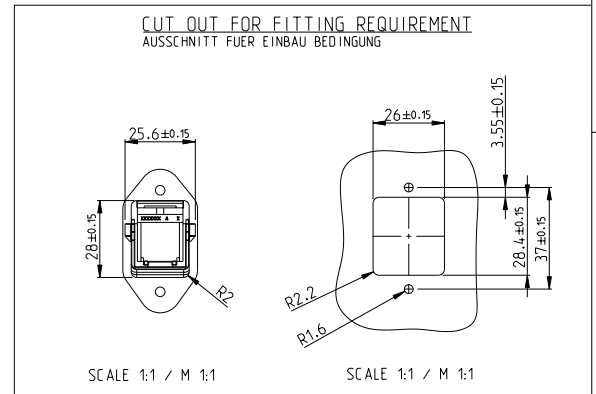
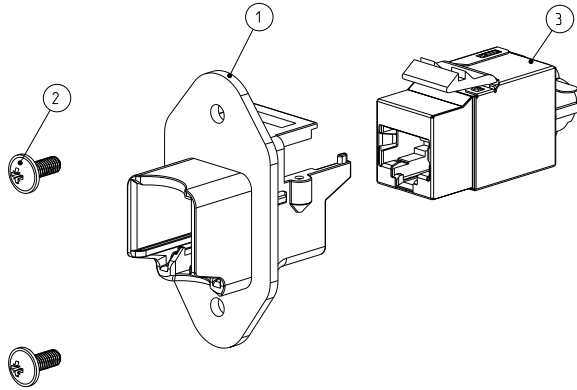
3

2

1

THIS DRAWING IS UNPUBLISHED. RELEASED FOR PUBLICATION 2008  
 BY TYCO ELECTRONICS CORPORATION. ALL RIGHTS RESERVED. COPYRIGHT 2008

REV	DATE	BY	CHKD	DESCRIPTION
A1	24FEB2008	N.T.	R.K.	NEW DRAWING PUBLISHED
A2	08DEC2008	N.T.	R.K.	ECR-08-030470
A3	28MAY2009	N.T.	T.K.	ECR-09-012142



SINGLE PACKING: PLASTIC BAG (MINI GRIP) WITH MANUAL.  
 MULTI PACKING: 50 PIECE ITEM NO. 1 IN CORD TENSIONING BAG+  
 100 PIECE ITEM NO. 2 IN PLASTIC BAG (MINI GRIP) +  
 50 PIECE ITEM NO. 3 FOLDING BOX +  
 PACKED IN CORRUGATED SHIPPING BOX WITH MANUAL.

EINZELVERPACKUNG: KUNSTOFFBEUTEL (MINI GRIP) MIT ANLEITUNG.  
 MEHRFACHVERPACKUNG: 50 STUECK POS. 1 IN KORDELZUG BEUTEL +  
 100 STUECK POS. 2 IN KUNSTSTOFFBEUTEL (MINI GRIP) +  
 50 STUECK POS. 3 IN FALTSCHACHEL +  
 VERPACKT IN VERSANDKARTON MIT ANLEITUNG.

QTY	REQD	PER	ASSY	DESCRIPTION	ITEM NO
-	-	1	1	MANUAL	4
-	-	50	1	ASSEMBLY SL 110 JACK, SHIELD, CAT 5e	3
-	-	100	2	ROUND HEAD SCREW M3 x 8	2
-	-	50	1	FRAME, RJ45 CONNECTOR IP20	1
-	-	-2	-1	DWG. SIZE	
-	-	-	-	PARTNUMBER	
-	-	-	-	DESCRIPTION	

REV	DATE	BY	CHKD	DESCRIPTION
0	24NOV2008	N. THILMANN	W. BOECK	ASSY. FRAME, RJ45 CONNECTOR IP20, CAT5
1	24NOV2008	W. BOECK	B. KRAEMER	ASSY. RAHMEN RJ45 CONNECTOR IP20, CAT5

REVISION OF EACH ASSY NO. (WHEN BLANK, USE DWG. REVISION)

QTY	REQD	PER	ASSY	DESCRIPTION	ITEM NO
-	-	-	-	MANUAL	4
-	-	50	1	ASSEMBLY SL 110 JACK, SHIELD, CAT 5e	3
-	-	100	2	ROUND HEAD SCREW M3 x 8	2
-	-	50	1	FRAME, RJ45 CONNECTOR IP20	1
-	-	-2	-1	DWG. SIZE	
-	-	-	-	PARTNUMBER	
-	-	-	-	DESCRIPTION	

QTY REQD PER ASSY

DIMENSIONS:	UNIT	TOLERANCE
0 PLC	mm	±0.15
1 PLC	mm	±0.15
2 PLC	mm	±0.15
3 PLC	mm	±0.15
4 PLC	mm	±0.15
ANGLES	°	±0.1
T/WISER	mm	±0.15

MATERIAL: -

WEIGHT: -

CUSTOMER DRAWING

DWG. NO: 24NOV2008  
 DWG. NAME: ASSY. FRAME, RJ45 CONNECTOR IP20, CAT5  
 DWG. DATE: 24NOV2008  
 DWG. BY: W. BOECK  
 DWG. CHKD: B. KRAEMER  
 DWG. SCALE: 2:1  
 DWG. SHEET: 1 OF 1  
 DWG. REV: A3

TYCO ELECTRONICS  
 Tyco Electronics AMP GmbH  
 64625 Bensheim (Germany)