

4

3

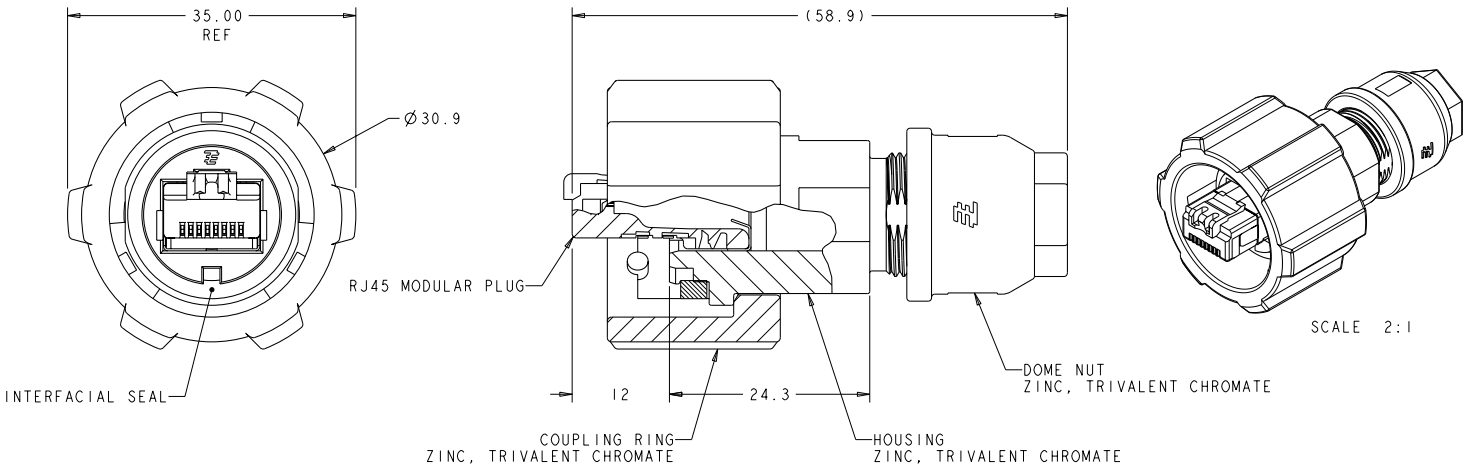
2

1

THIS DRAWING IS UNPUBLISHED. RELEASED FOR PUBLICATION
 BY TYCO ELECTRONICS CORPORATION. ALL RIGHTS RESERVED.

REVOLUTIONS		DATE	BY	APP'D
P	LYA			
A2	REVISED PER ECO-11-004109	28FEB2011	HMR	MS

- 1. CABLE DIAMETER RANGE: $\varnothing 4.5 - \varnothing 7.9$
- \triangle 36.9 IN-LBS TORQUE RECOMMENDED FOR DOME NUT.
- \triangle INTERFACIAL SEAL IS SECURED TO HOUSING WITH ADHESIVE.
- \triangle MOD PLUG ASSEMBLY CABLE DIAMETER RANGE 4.83 [.190] TO 5.20 [.205].
- \triangle MOD PLUG ASSEMBLY CABLE DIAMETER RANGE 6.99 [.275] TO 7.87 [.310].



\triangle SOLID OR STRANDED	2008614-3
\triangle SOLID WIRE	2008614-2
STRANDED WIRE	2008614-1
WIRE TYPE	PART NUMBER

DIMENSIONS:		TOLERANCES UNLESS OTHERWISE SPECIFIED:		DATE	26MAR2008	Tyco Electronics Harrisburg, PA 17105-3608
mm		OPERATION SPECIES:		DESIGNED BY	S. WELDON	
	0 PLC	±0.0	1 PLC ±0.2 2 PLC ±0.10 3 PLC ±0.050 4 PLC ±0.000 ANGLES ±0.0000	APPROVED	26MAR2008	PLUG KIT, SHIELDED, INDUSTRIAL CIRCULAR ETHERNET CONNECTOR
	1 PLC	±0.2		NAME	C. HERTZLER	
	2 PLC	±0.10		PRODUCT SPEC	108-2198	
	3 PLC	±0.050		APPLICATION SPEC	114-13136	
MATERIAL	FINISH	WEIGHT	CUSTOMER DRAWING	SHEET	A200779	DRAWING NO
				SCALE	3:1	RESTRICTED TO
						REV A2