

4

3

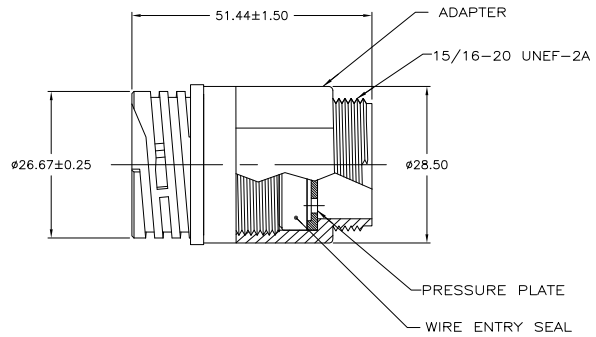
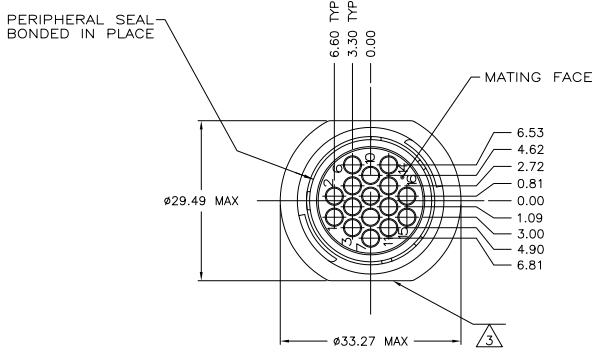
2

1

THIS DRAWING IS UNPUBLISHED. RELEASED FOR PUBLICATION.  
 © COPYRIGHT BY TYCO ELECTRONICS CORPORATION. ALL INTERNATIONAL RIGHTS RESERVED.

LOC	DIST	REVISIONS				
FT	0	F	LNK	DATE	BY	APPD
		F		REVISED PER ECO-08-032010	26MAR09	HMR MS

- △ HOUSING, ADAPTER AND PRESSURE PLATE: NYLON, BLACK.  
WIRE ENTRY SEAL: ELASTOMER, RED-IRON OXIDE.  
PERIPHERAL SEAL: ELASTOMER, GRAY.
- 2 CONNECTOR WILL ACCEPT (16) MULTIMATE PIN CONTACTS.
- △ PART NUMBER STAMPED ON EITHER STRAIGHT EDGE, AS INDICATED.



OBSOLETE	DIA. RANGE	INSULATION	PART NUMBER
	.040 - .080	SMALL	796276-3
	.040 - .080	SMALL	796276-2
	.065 - .120	STANDARD	796276-1

THIS DRAWING IS A CONTROLLED DOCUMENT.		DIM L. McEACHIN 27-JAN-2000 CHK K. DOWNHOWER 27-JAN-2000 APD K. DOWNHOWER 27-JAN-2000 NAME PRODUCT SPEC APPLICATION SPEC WEIGHT MATERIAL - △ FINISH -		Tyco Electronics Corporation Harrisburg, PA 17105-3608 ASSEMBLY, RECEPTACLE, STANDARD SEX, 17-16, STANDARD OR SMALL INSULATION DIA., SEALED SIZE CAGE CODE DRAWING NO A2 00779 C=796276 CUSTOMER DRAWING SCALE 2:1 SHEET 1 of 1 REV F	
--	--	---	--	---	--