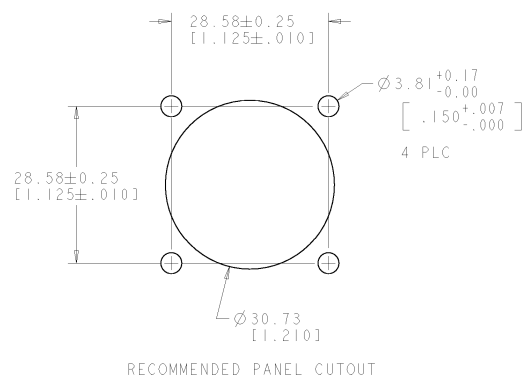
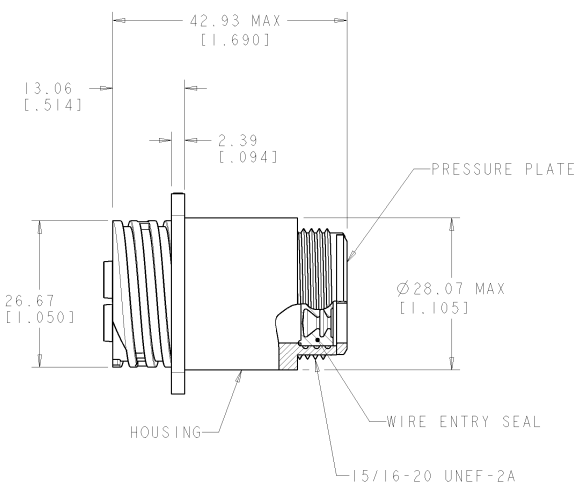
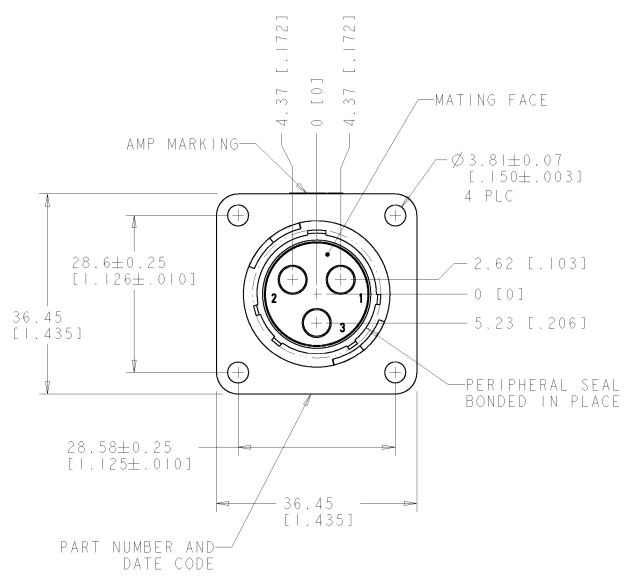


REV. NO.		DISP		REVISIONS	
REV	DATE	BY	CHKD	DESCRIPTION	DATE
B1				REVISED PER ECO-11-005284	30APR11



△ HOUSING & PRESSURE PLATE: NYLON, BLACK.
 WIRE ENTRY SEAL: ELASTOMER, RED-IRON OXIDE.
 PERIPHERAL SEAL: POLYESTER, BLACK.
 2. CONNECTOR WILL ACCEPT (3) POWER SOCKET CONTACTS.

3.81-6.73 [.150-.265]	788189-2
2.41-5.21 [.095-.205]	788189-1
INSULATION RANGE	PART NUMBER

DIMENSIONS: mm (INCHES)		DRAWN BY: WELDON 07FEB2000		TE Connectivity	
CHECKED BY: DOWLING 07FEB2000		APPROVED BY: DOWLING 07FEB2000		RECEPTACLE ASSY, SERIES 5, REVERSE SEX, SIZE 17-3, CIRCULAR PLASTIC CONNECTOR	
MATERIAL: -		WEIGHT: -		SIZE: A2 CASE CODE: 100779 DRAWING NO: 788189	
FINISH: -		CUSTOMER DRAWING		RESTRICTED TO: - SCALE: 2:1 SHEET: 1 OF 1 REV: B1	